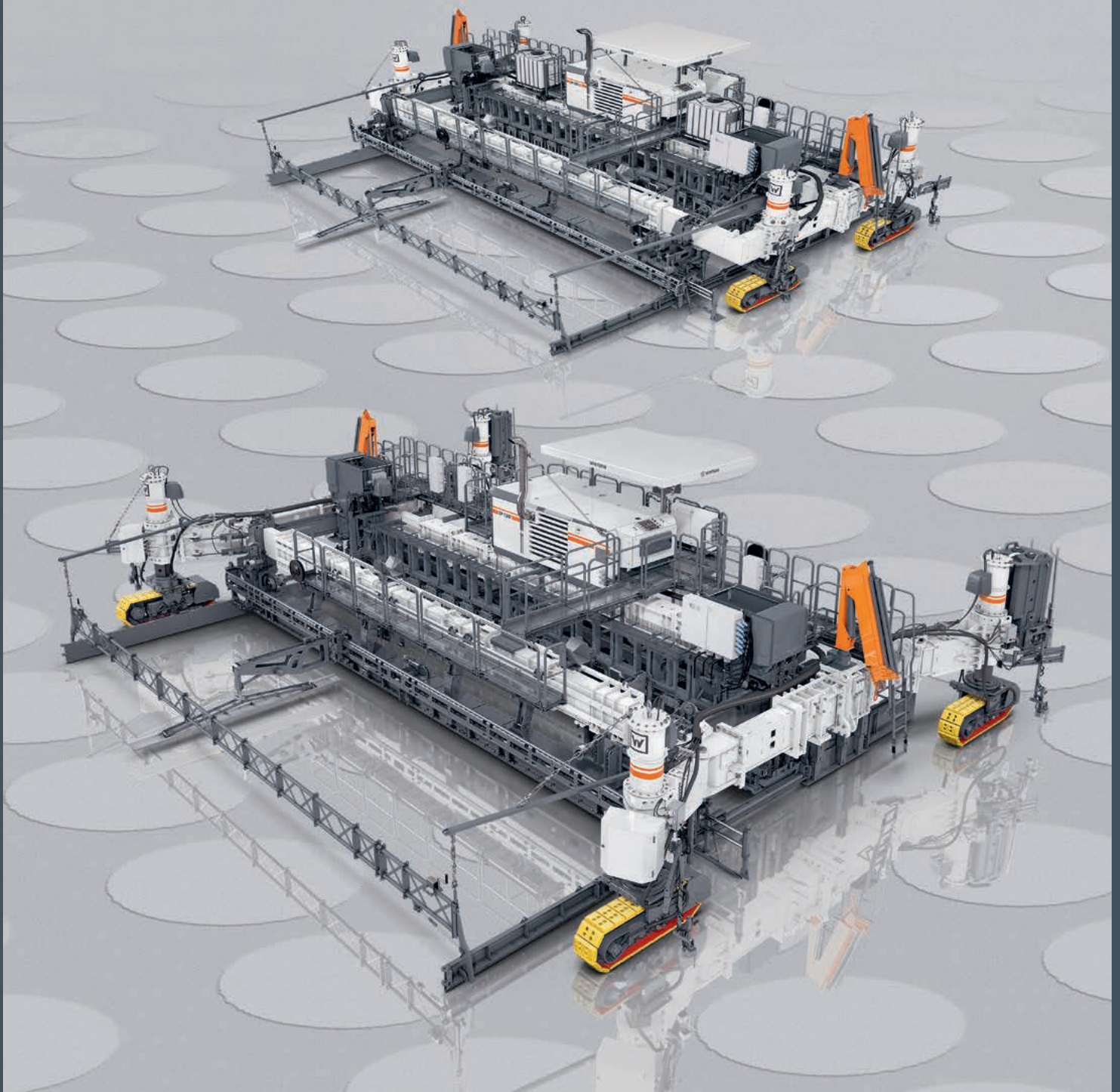


The benchmark for perfect concrete paving in the 12-m class.

Slipform Pavers

SP 124 | SP 124i | SP 124 L | SP 124 Li



At a glance: outstanding features of the SP 124/SP 124i/SP 124 L/SP 124 Li

Machine concept

1 | HEAVY-DUTY MACHINE DESIGN

The heavy-duty machine design guarantees consistently high performance rates in concrete paving as well as precise paving results even in difficult site conditions.

2 | FULLY MODULAR MACHINE LAYOUT

The paver's fully modular design is synonymous with flexible modification, easy retrofitting of optional equipment features and application-specific adjustment to site conditions.

3 | INTELLIGENT TRANSPORT CONCEPT

Compact dimensions and minimum modification requirements ensure ease of loading and cost-effective transport. Depending on the paver's configuration, the dowel bar inserter or oscillating beam, super smoother and concrete spreading equipment can remain mounted on the machine during transport.

SP 124 / SP 124i

- > Four hydraulic pivoting legs in the standard equipment package
- > Modification for transport by pivoting in the pivoting legs
- > Maximum flexibility regardless of site conditions

Concrete equipment

4 | EXCEPTIONAL FLEXIBILITY IN CONCRETE PAVING

The slipform paver achieves perfection in the highly precise paving of standard concrete slabs at widths ranging from 4.5 m to 12.0 m and layer thicknesses of up to 450 mm.

5 | PROVEN SLAB PAVING MOULD

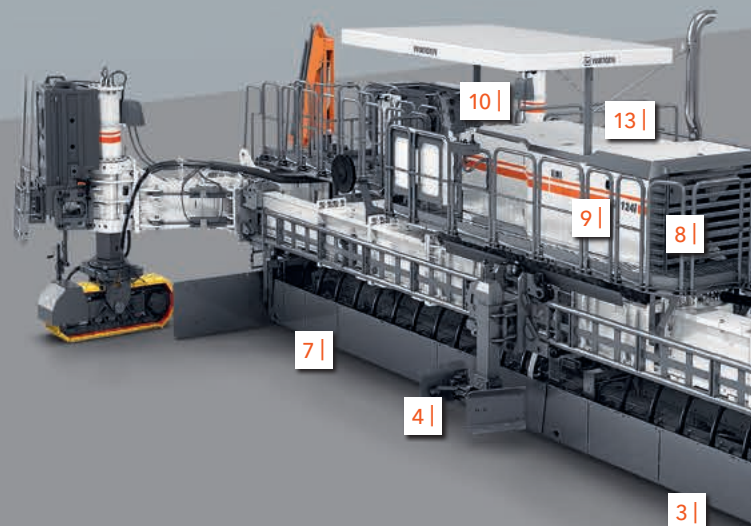
The machine can be fitted with 910 wmm series metric inset slab paving moulds which come with wearing pan as standard and crown as an optional feature.

6 | MACHINE-INTEGRATED INSERTION OF STEEL REINFORCEMENT

A self-loading dowel bar inserter with fully automatic dowel bar magazine, tie bar inserter(s) and side tie bar inserter(s) are available in accordance with customer requirements.

7 | ALTERNATIVE COMPACTION TECHNOLOGY

The machine can be equipped with a hydraulic or electric vibrator drive to comply with site requirements. It comes with 24 hydraulic connectors in standard design (optionally 30 or 36) but can optionally be fitted with 26 or 34 electric connectors.



Engine technology and operation

8 | EFFICIENT ENGINE MANAGEMENT

The ECO mode feature automatically adjusts the engine output to current performance requirements, thus ensuring diesel efficiency and low noise emissions.

Machine control and steering

SP 124 L / SP 124 Li

- > Rigid connection of track units with standard hydraulic rotational drives
- > Modification for transport by setting the track units to a steering angle of 90 degrees
- > Compact machine dimensions

11 | HIGH-PRECISION STEERING AND DRIVE SYSTEMS

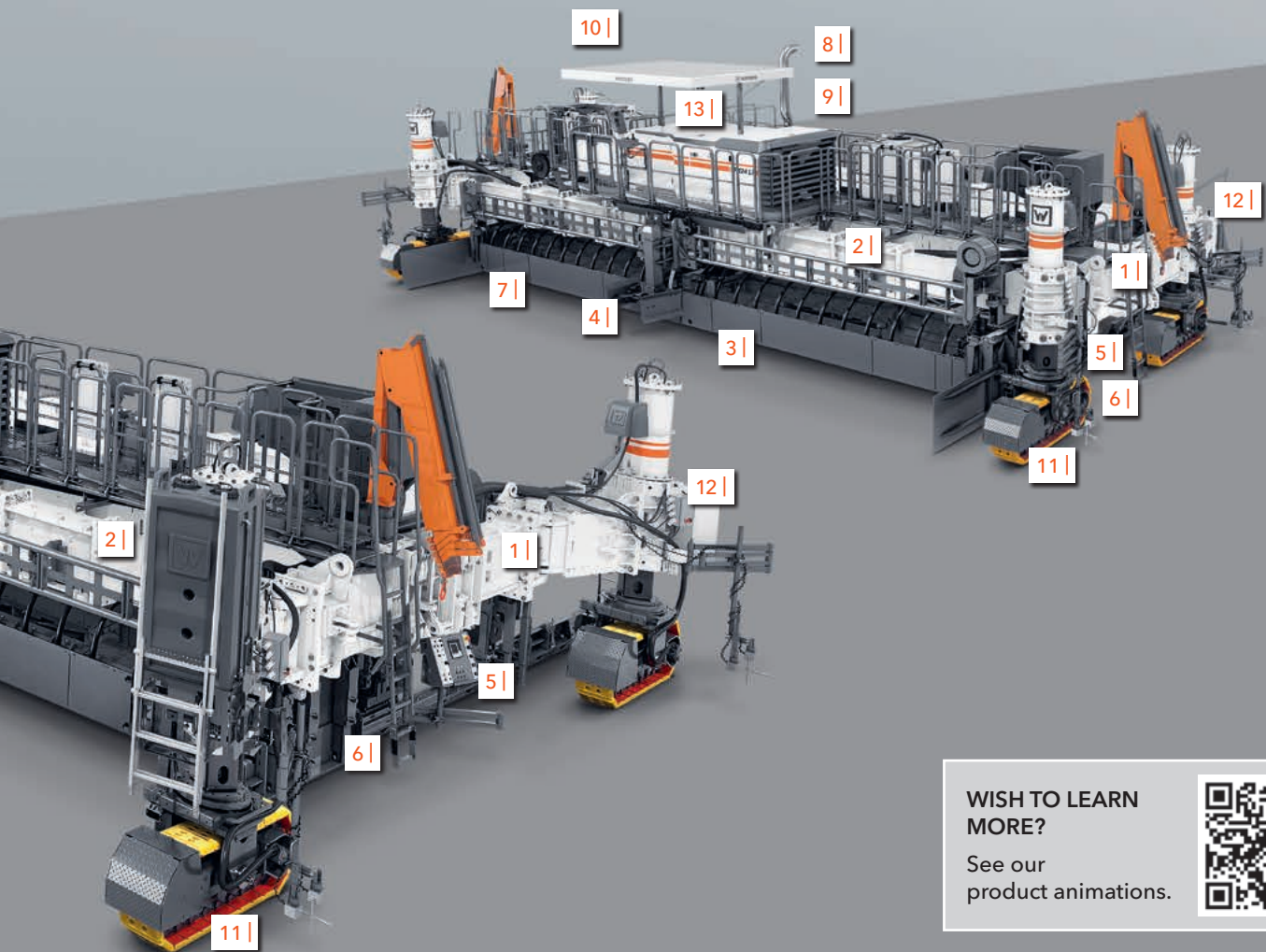
Intelligent steering and control systems for exceedingly smooth operation even in narrow bends ensure precision in concrete paving.

12 | MACHINE CONTROL SYSTEMS WITH ADVANCED INTELLIGENCE

The efficient WIRTGEN WITOS FleetView telematics system supports fleet management, machine position and status monitoring, as well as maintenance and diagnostic procedures.

13 | FIELD-PROVEN 3D INTERFACE

The field-proven interface guarantees tested compatibility with the 3D control systems of leading suppliers.



WISH TO LEARN MORE?
See our product animations.



9 | STATE-OF-THE-ART ENGINE TECHNOLOGY

The SP 124 / SP 124 L features state-of-the-art, high-performance engine technology (max. 272 kW / 365 HP / 370 PS) complying with exhaust emission standards EU Stage IIIa / US Tier 3. The SP 124i / SP 124 Li features state-of-the-art, high-performance engine technology (max. 321 kW / 430 HP / 436 PS) complying with exhaust emission standards EU Stage V / US Tier 4f.

10 | PERFECTION IN ERGONOMIC DESIGN AND HANDLING

Relaxed working is ensured by the ergonomically designed workplace offering perfect visibility and an intuitive operating concept standardized for all SP model ranges.

Technical specification

SP 124 | SP 124i

04
05

	SP 124	SP 124i
Range of applications		
Slab paving application without crown	Paving width: 4.50 m to 12.00 m*1 Layer thickness: up to 450 mm*1	
Slab paving application with crown	Paving width: 4.50 m to 12.00 m*1 Layer thickness: up to 450 mm*1	
Concrete spreading equipment		
Spreading plough	Modular extension to up to 12.00 m	
Slab paving equipment		
Slab paving mould type 910 mm (without wearing pan, without crown feature)	Modular extension to up to 12.00 m	
Slab paving mould type 910 mm (with wearing pan, with or without crown feature)	Modular extension to up to 12.00 m	
Oscillating beam	Modular extension to up to 12.00 m	
Super smoother	Modular extension to up to 12.00 m	
Vibrators and circuits		
Hydraulic vibration	24 connectors (optional: 30 or 36 connectors)	
Electric vibration	26 connectors (optional: 34 connectors)	
Hydraulically driven vibrators	Curved (D66)	
Electrically driven vibrators	Curved (D76)	
Engine		
Engine manufacturer	Cummins	Cummins
Type	QSL-8.9 C-365	L9 C430
Cooling	Water	Water
Number of cylinders	6	6
Rated power at 2,100 rpm	272 kW/365 HP/370 PS	321 kW/430 HP/436 PS
Displacement	8,300 cm ³	8,900 cm ³
Fuel consumption, full load	74 l/h	79 l/h
Fuel consumption, 2/3 load	57 l/h	56 l/h
Exhaust emission standards	EU Stage IIIa/US Tier 3	EU Stage V/US Tier 4f
Electrical system		
Voltage supply	24 V DC	
Electric vibration	110 V AC 3~/200 Hz	

	SP 124	SP 124 i
Filling capacities		
Fuel	660 l	
AdBlue®/DEF* ²	-	95 l
Hydraulic oil, electric vibration	300 l	
Hydraulic oil, hydraulic vibration	650 l	
Water	550 l + 550 l + 800 l	
Driving performance		
Paving speed	0 to 12 m/min	
Travel speed	0 to 25 m/min	
Track units		
Number	4	
Type B4: Dimensions (L x W x H)	2,090 x 430 x 712 mm	
Height adjustment		
Hydraulic	1,000 mm	
Mechanical (hole pattern)	155 mm	
Crown		
Variable adjustment range	For paving widths from 4.50 m to 8.00 m: max. 3 %* ³ For paving widths from 8.00 m to 12.00 m: max. 2 %* ³	
Transport dimensions (L x W x H)		
Paving width 4.50 m: Machine with slab paving mould type 910 mm, including spreading plough, oscillating beam and super smoother	11,400 x 3,500 x 3,200 mm	
Paving width 12.00 m: Machine with slab paving mould type 910 mm, including spreading plough, oscillating beam and super smoother	18,900 x 3,500 x 3,200 mm	
Machine weights		
Operating weight, CE* ⁴ (with slab paving mould type 910 mm), 4.50 m	59,000 kg	
Machine weight* ⁵	56,000 to 102,000 kg	

*¹ = Please consult factory for special paving widths, layer thicknesses and optional equipment features

*² = AdBlue® is a registered trademark of the Association of the Automotive Industry (Verband der Automobilindustrie e. V.; VDA)

*³ = Values within standard transport height; please consult factory for special dimensions

*⁴ = Weight of machine, half weight of all operating materials, on-board tools, machine operator (75 kg), no optional equipment features

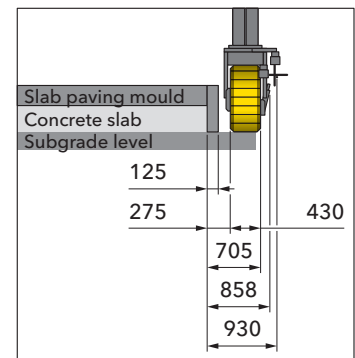
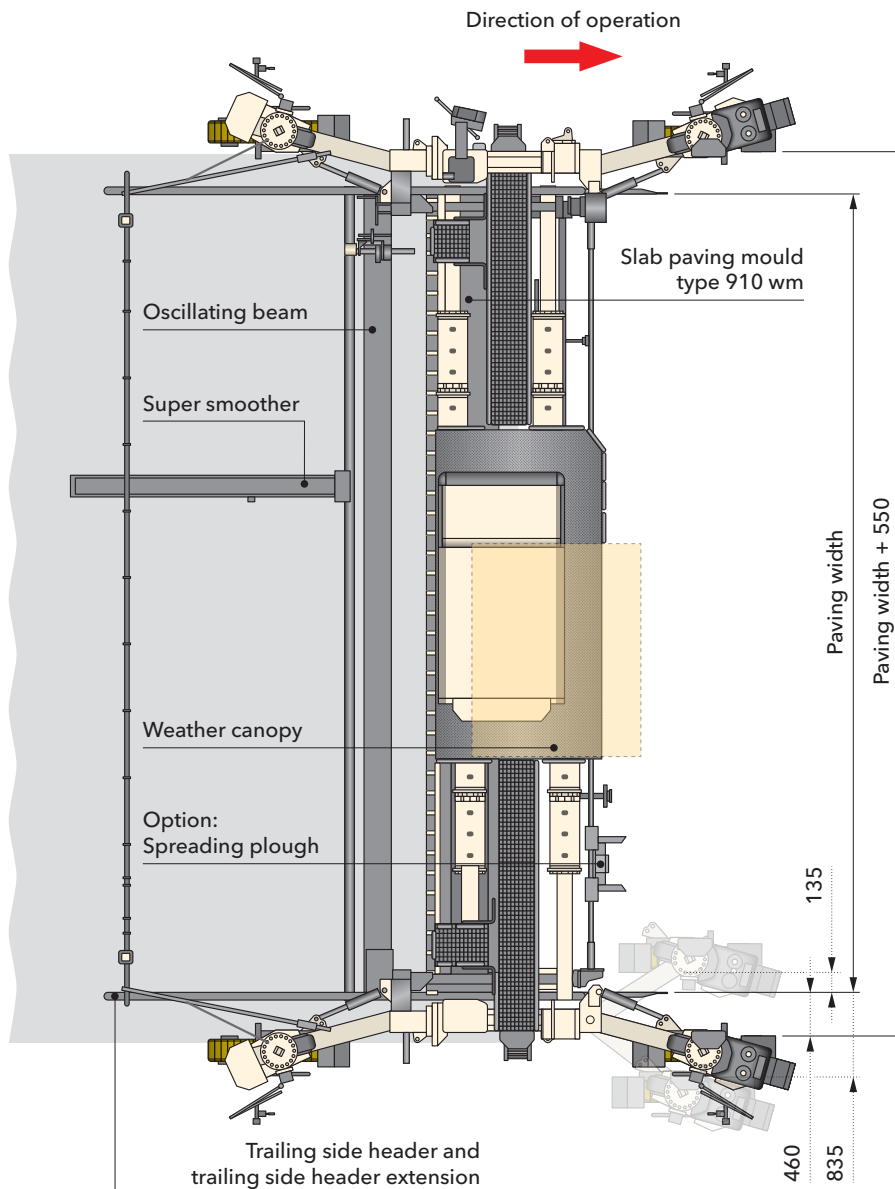
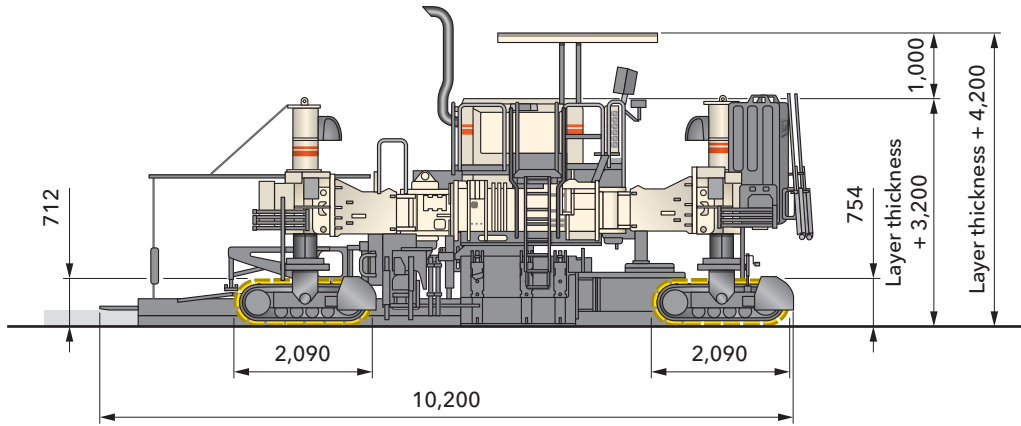
*⁵ = Weights depend on the paver's range of equipment and paving width

Dimensions

SP 124 | SP 124i

06
07

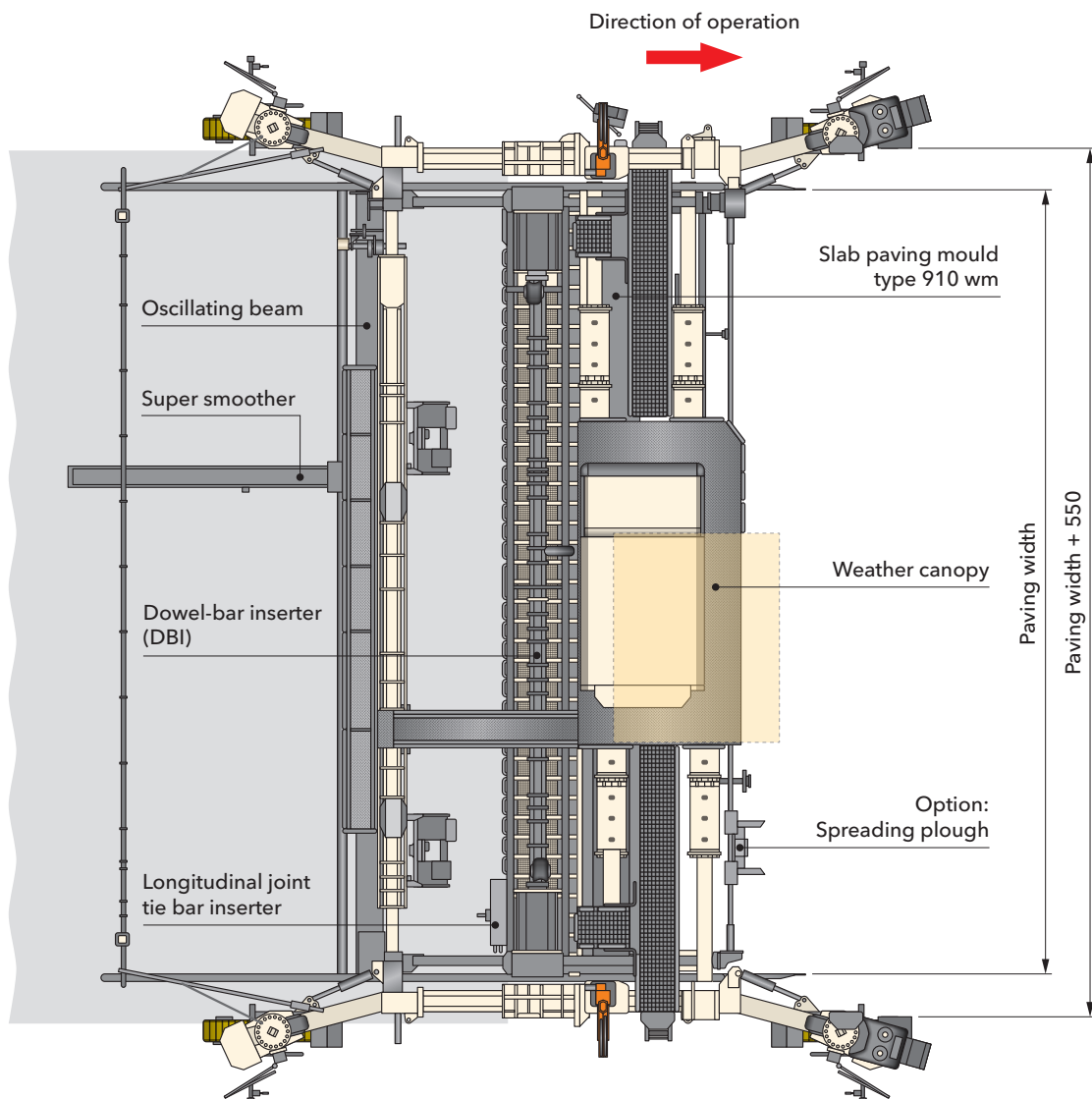
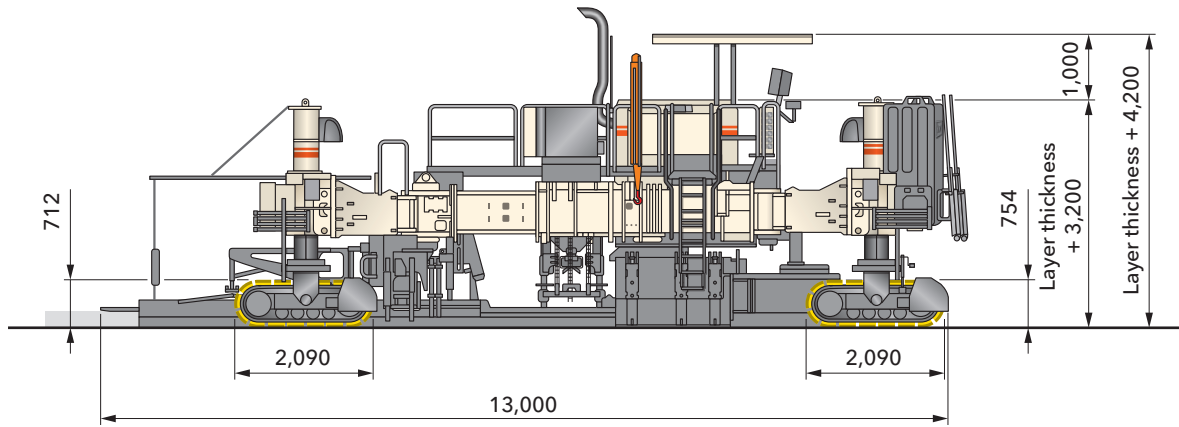
Paving situation: Slipform paver SP 124/SP 124i equipped with spreading plough, slab paving mould type 910 wm, oscillating beam and super smoother



Minimum space required for B4 track units at paving widths ≥ 3.00 m (without side tie bar inserter)

Dimensions in mm

Paving situation: Slipform paver SP 124/SP 124i equipped with spreading plough, slab paving mould type 910 mm, dowel-bar inserter (DBI), oscillating beam, super smoother and longitudinal joint tie bar inserter



Standard equipment features

SP 124 | SP 124i

08
09

	SP 124	SP 124i
Basic machine		
Heavy-duty design for accommodating telescoping elements, machine frame telescoping continuously to both sides for accommodating paving moulds between the track units from 4.50 m to 9.50 m (optional: up to 12.00 m) in width	■	■
Heavy-duty steel frame telescoping continuously by a total of 2.20 m on both sides; can be optionally extended by up to 2 x 3.75 m using fixed-width extension elements	■	■
The machine frame is pre-fitted with multiple mounting points for the modular addition of a variety of equipment features	■	■
Mechanical telescoping feature for extending the machine frame in longitudinal direction to accommodate additional optional features (dowel bar inserter, longitudinal joint tie bar inserters)	■	■
Fuel tank, 660 l	■	■
Electrical system (24 V)	■	■
Cooling system with temperature-controlled fan speed	■	■
Hydraulic system including an adequately sized hydraulic oil tank and a pump transfer gearbox with four output shafts and the pumps required for the machine's basic equipment package	■	■
Main frame and height adjustment		
Frame elements for mechanical telescoping in increments to working widths of up to 9.50 m	□	□
Chassis and chassis linkage		
Four height-adjustable track units with hydraulic pivoting legs, including cylinder drives	□	□
Machine control, levelling and steering		
WI-CONTROL - high-quality control system ensuring perfect interaction between all machine features	■	■
Error messages are displayed on the machine's control screen	■	■
The existing CAN-bus system can be expanded to customer specifications	■	■
ECO mode: performance-optimized engine management system for reduced diesel consumption and low noise emissions	■	■
Proportional electrohydraulic levelling and steering by means of a PLC system including four levelling sensors and two steering sensors	■	■
Sensor mounting brackets, adjustable in height and range	■	■
Four hydraulic levelling cylinders with a stroke of 1.00 m	■	■
Vibration		
Hydraulic vibrator drive for max. 24 vibrators	□	□
12 curved vibrators D66, hydraulically driven	□	□

- = Standard equipment
- = Standard equipment, replaceable with optional equipment
- = Optional equipment

	SP 124	SP 124 i
Concrete equipment for slab paving		
Paving mould 910 mm, basic width 4.50 m, without crown, with trailing side header and trailing side header extension 260 mm, including crosslink	<input type="checkbox"/>	<input type="checkbox"/>
Single-piece sideplate for paving mould series 910 mm; valve position on side support	<input type="checkbox"/>	<input type="checkbox"/>
Single-piece sideplate for paving mould series 910 mm; valve position on paving mould	<input type="checkbox"/>	<input type="checkbox"/>
Operator's platform		
Ergonomically designed operator's platform providing a perfect view of the paving process	<input checked="" type="checkbox"/>	<input checked="" type="checkbox"/>
Three control panels with clear, language-independent labelling for ergonomic operation	<input checked="" type="checkbox"/>	<input checked="" type="checkbox"/>
Control panel 1 for machine setup according to site requirements	<input checked="" type="checkbox"/>	<input checked="" type="checkbox"/>
Control panel 2 with multifunctional control screen providing the operator with all relevant machine parameters and allowing settings to be made via a menu	<input checked="" type="checkbox"/>	<input checked="" type="checkbox"/>
Control panels 1 and 3 can be adjusted to all directions of travel and paving configurations	<input checked="" type="checkbox"/>	<input checked="" type="checkbox"/>
Control panel 3 for controlling the concrete equipment	<input checked="" type="checkbox"/>	<input checked="" type="checkbox"/>
Two control panels can be stored in the engine compartment; the third control panel can be protected against vandalism and weather by means of a lockable cover	<input checked="" type="checkbox"/>	<input checked="" type="checkbox"/>
Automatic recognition of each machine configuration provides easy orientation for the machine operator	<input checked="" type="checkbox"/>	<input checked="" type="checkbox"/>
Miscellaneous		
Comprehensive toolkit in lockable toolbox including torque multiplier and torque wrench	<input checked="" type="checkbox"/>	<input checked="" type="checkbox"/>
Comprehensive safety package with EMERGENCY STOP switches	<input checked="" type="checkbox"/>	<input checked="" type="checkbox"/>
Pre-fitting for installing the WITOS FleetView control unit	<input checked="" type="checkbox"/>	<input checked="" type="checkbox"/>
Filling of the machine's hydraulic system with mineral hydraulic oil	<input checked="" type="checkbox"/>	<input checked="" type="checkbox"/>
Standard painting in RAL 9001 (cream)	<input type="checkbox"/>	<input type="checkbox"/>
WITOS FleetView - professional telematics solution to optimize machine use and servicing	<input type="checkbox"/>	<input type="checkbox"/>
Lighting system including 4 halogen working lights, 24 V	<input type="checkbox"/>	<input type="checkbox"/>

= Standard equipment
 = Standard equipment, replaceable with optional equipment
 = Optional equipment

Optional equipment features

SP 124 | SP 124i

10
11

	SP 124	SP 124i
Main frame and height adjustment		
Frame elements for mechanical telescoping in increments to working widths of up to 12.00 m	<input type="checkbox"/>	<input type="checkbox"/>
Chassis and chassis linkage		
Four height-adjustable track units with hydraulic pivoting legs, including hydraulic rotational drives	<input type="checkbox"/>	<input type="checkbox"/>
Machine control, levelling and steering		
Additional control console for track unit adjustment	<input type="checkbox"/>	<input type="checkbox"/>
Two slab tracers	<input type="checkbox"/>	<input type="checkbox"/>
Four slab tracers	<input type="checkbox"/>	<input type="checkbox"/>
Control console for manual track unit steering	<input type="checkbox"/>	<input type="checkbox"/>
Pre-fitting for 3D levelling	<input type="checkbox"/>	<input type="checkbox"/>
Additional slope sensors for 3D levelling	<input type="checkbox"/>	<input type="checkbox"/>
Concrete spreading equipment for slab paving		
Spreading plough - basic width 4.50 m	<input type="checkbox"/>	<input type="checkbox"/>
Spreading plough - extension element 0.25 m	<input type="checkbox"/>	<input type="checkbox"/>
Spreading plough - extension element 0.40 m	<input type="checkbox"/>	<input type="checkbox"/>
Spreading plough - extension element 0.50 m	<input type="checkbox"/>	<input type="checkbox"/>
Spreading plough - extension element 0.60 m	<input type="checkbox"/>	<input type="checkbox"/>
Spreading plough - extension element 0.75 m	<input type="checkbox"/>	<input type="checkbox"/>
Spreading plough - extension element 1.00 m	<input type="checkbox"/>	<input type="checkbox"/>
Spreading plough - extension element 2.00 m	<input type="checkbox"/>	<input type="checkbox"/>
Vibration		
Hydraulic vibrator drive for max. 30 vibrators	<input type="checkbox"/>	<input type="checkbox"/>
Hydraulic vibrator drive for max. 36 vibrators	<input type="checkbox"/>	<input type="checkbox"/>
Electric vibrator drive with 60-kVA generator for max. 26 vibrators	<input type="checkbox"/>	<input type="checkbox"/>
Electric vibrator drive with 60-kVA generator for max. 34 vibrators	<input type="checkbox"/>	<input type="checkbox"/>
12 curved vibrators D76, electrically driven	<input type="checkbox"/>	<input type="checkbox"/>
Curved vibrator D66, hydraulically driven	<input type="checkbox"/>	<input type="checkbox"/>
Curved vibrator D76, electrically driven	<input type="checkbox"/>	<input type="checkbox"/>
Concrete equipment for slab paving		
Metering gate for paving mould with/without crown - basic width 4.50 m (optional: up to 12.00 m)	<input type="checkbox"/>	<input type="checkbox"/>
Automatic metering gate control for concrete paving mould	<input type="checkbox"/>	<input type="checkbox"/>

- = Standard equipment
- = Standard equipment, replaceable with optional equipment
- = Optional equipment

	SP 124	SP 124 i
Concrete equipment for slab paving		
Metering gate - extension element 0.25 m	<input type="checkbox"/>	<input type="checkbox"/>
Metering gate - extension element 0.40 m	<input type="checkbox"/>	<input type="checkbox"/>
Metering gate - extension element 0.50 m	<input type="checkbox"/>	<input type="checkbox"/>
Metering gate - extension element 0.60 m	<input type="checkbox"/>	<input type="checkbox"/>
Metering gate - extension element 0.75 m	<input type="checkbox"/>	<input type="checkbox"/>
Metering gate - extension element 1.00 m	<input type="checkbox"/>	<input type="checkbox"/>
Metering gate - extension element 2.00 m	<input type="checkbox"/>	<input type="checkbox"/>
Paving mould 910 wm, basic width 4.50 m, with/without crown, with trailing side header and trailing side header extension 260 mm, including crosslink	<input type="checkbox"/>	<input type="checkbox"/>
Two-piece sideplate for paving mould series 910 wm for the production of construction joints; valve position on side support	<input type="checkbox"/>	<input type="checkbox"/>
Two-piece sideplate for paving mould series 910 wm for the production of construction joints; valve position on paving mould	<input type="checkbox"/>	<input type="checkbox"/>
Paving mould series 910 wm - extension element 0.25 m	<input type="checkbox"/>	<input type="checkbox"/>
Paving mould series 910 wm - extension element 0.40 m	<input type="checkbox"/>	<input type="checkbox"/>
Paving mould series 910 wm - extension element 0.50 m	<input type="checkbox"/>	<input type="checkbox"/>
Paving mould series 910 wm - extension element 0.60 m	<input type="checkbox"/>	<input type="checkbox"/>
Paving mould series 910 wm - extension element 0.75 m	<input type="checkbox"/>	<input type="checkbox"/>
Paving mould series 910 wm - extension element 1.00 m	<input type="checkbox"/>	<input type="checkbox"/>
Paving mould series 910 wm - extension element 2.00 m	<input type="checkbox"/>	<input type="checkbox"/>
Automatic dowel bar inserter (DBI) for use without crown - basic width 4.50 m	<input type="checkbox"/>	<input type="checkbox"/>
Automatic dowel bar inserter (DBI) for use with crown - basic width 4.50 m	<input type="checkbox"/>	<input type="checkbox"/>
Base group for dowel bar inserter (DBI) for paving widths of up to 4.50 m	<input type="checkbox"/>	<input type="checkbox"/>
Base group for dowel bar inserter (DBI) for paving widths of up to 5.00 m	<input type="checkbox"/>	<input type="checkbox"/>
Base group for dowel bar inserter (DBI) for paving widths of up to 6.00 m	<input type="checkbox"/>	<input type="checkbox"/>
Base group for dowel bar inserter (DBI) for paving widths of up to 7.00 m	<input type="checkbox"/>	<input type="checkbox"/>
Base group for dowel bar inserter (DBI) for paving widths of up to 8.00 m	<input type="checkbox"/>	<input type="checkbox"/>
Base group for dowel bar inserter (DBI) for paving widths of up to 9.00 m	<input type="checkbox"/>	<input type="checkbox"/>
Base group for dowel bar inserter (DBI) for paving widths of up to 10.00 m	<input type="checkbox"/>	<input type="checkbox"/>
Base group for dowel bar inserter (DBI) for paving widths of up to 11.00 m	<input type="checkbox"/>	<input type="checkbox"/>
Base group for dowel bar inserter (DBI) for paving widths of up to 12.00 m	<input type="checkbox"/>	<input type="checkbox"/>

- = Standard equipment
- = Standard equipment, replaceable with optional equipment
- = Optional equipment

Optional equipment features

SP 124 | SP 124i

12
13

	SP 124	SP 124i
Concrete equipment for slab paving		
Dowel bar inserter (DBI) - extension element 0.25 m	<input type="checkbox"/>	<input type="checkbox"/>
Dowel bar inserter (DBI) - extension element 0.40 m	<input type="checkbox"/>	<input type="checkbox"/>
Dowel bar inserter (DBI) - extension element 0.50 m	<input type="checkbox"/>	<input type="checkbox"/>
Dowel bar inserter (DBI) - extension element 0.60 m	<input type="checkbox"/>	<input type="checkbox"/>
Dowel bar inserter (DBI) - extension element 0.75 m	<input type="checkbox"/>	<input type="checkbox"/>
Dowel bar inserter (DBI) - extension element 1.00 m	<input type="checkbox"/>	<input type="checkbox"/>
Dowel bar inserter (DBI) - extension element 2.00 m	<input type="checkbox"/>	<input type="checkbox"/>
Eye bolts as modification aid for altering the width of the dowel bar inserter (DBI)	<input type="checkbox"/>	<input type="checkbox"/>
DBI self-loading device including diesel-powered hydraulic unit (AG3)	<input type="checkbox"/>	<input type="checkbox"/>
One longitudinal joint tie bar inserter for tie bars \varnothing 12 - 25 mm, length 400 - 800 mm	<input type="checkbox"/>	<input type="checkbox"/>
Two longitudinal joint tie bar inserters for tie bars \varnothing 12 - 25 mm, length 400 - 800 mm	<input type="checkbox"/>	<input type="checkbox"/>
Three longitudinal joint tie bar inserters for tie bars \varnothing 12 - 25 mm, length 400 - 800 mm	<input type="checkbox"/>	<input type="checkbox"/>
One longitudinal joint tie bar inserter for tie bars \varnothing 12 - 25 mm, length 800 - 1,200 mm	<input type="checkbox"/>	<input type="checkbox"/>
Two longitudinal joint tie bar inserters for tie bars \varnothing 12 - 25 mm, length 800 - 1,200 mm	<input type="checkbox"/>	<input type="checkbox"/>
Three longitudinal joint tie bar inserters for tie bars \varnothing 12 - 25 mm, length 800 - 1,200 mm	<input type="checkbox"/>	<input type="checkbox"/>
Frame extension + electrical control system for dowel bar inserter (DBI) and longitudinal joint tie bar inserter for working widths of up to 9.50 m, machine with pivoting legs	<input type="checkbox"/>	<input type="checkbox"/>
Frame extension + electrical control system for dowel bar inserter (DBI) and longitudinal joint tie bar inserter for working widths of up to 12.00 m, machine with pivoting legs	<input type="checkbox"/>	<input type="checkbox"/>
Oscillating beam without crown - basic width 4.50 m	<input type="checkbox"/>	<input type="checkbox"/>
Oscillating beam with/without crown - basic width 4.50 m	<input type="checkbox"/>	<input type="checkbox"/>
Oscillating beam - extension element 0.25 m	<input type="checkbox"/>	<input type="checkbox"/>
Oscillating beam - extension element 0.40 m	<input type="checkbox"/>	<input type="checkbox"/>
Oscillating beam - extension element 0.50 m	<input type="checkbox"/>	<input type="checkbox"/>
Oscillating beam - extension element 0.60 m	<input type="checkbox"/>	<input type="checkbox"/>
Oscillating beam - extension element 0.75 m	<input type="checkbox"/>	<input type="checkbox"/>
Oscillating beam - extension element 1.00 m	<input type="checkbox"/>	<input type="checkbox"/>
Oscillating beam - extension element 2.00 m	<input type="checkbox"/>	<input type="checkbox"/>
Super smoother - basic width 4.50 m (reversible to 2.00 m)	<input type="checkbox"/>	<input type="checkbox"/>
Super smoother - extension element 0.25 m	<input type="checkbox"/>	<input type="checkbox"/>
Super smoother - extension element 0.40 m	<input type="checkbox"/>	<input type="checkbox"/>
Super smoother - extension element 0.50 m	<input type="checkbox"/>	<input type="checkbox"/>
Super smoother - extension element 0.60 m	<input type="checkbox"/>	<input type="checkbox"/>
Super smoother - extension element 0.75 m	<input type="checkbox"/>	<input type="checkbox"/>

- = Standard equipment
- ▣ = Standard equipment, replaceable with optional equipment
- = Optional equipment

	SP 124	SP 124 i
Concrete equipment for slab paving		
Super smoother - extension element 1.00 m	<input type="checkbox"/>	<input type="checkbox"/>
Super smoother - extension element 2.00 m	<input type="checkbox"/>	<input type="checkbox"/>
One side tie bar inserter for straight tie bars, max. ø 20 mm, length 800 mm	<input type="checkbox"/>	<input type="checkbox"/>
Two side tie bar inserters for straight tie bars, max. ø 20 mm, length 800 mm	<input type="checkbox"/>	<input type="checkbox"/>
Operator's platform		
Weather canopy for operator's platform, hydraulically telescoping in height, with LED lighting	<input type="checkbox"/>	<input type="checkbox"/>
Miscellaneous		
Painting in one special colour (RAL)	<input type="checkbox"/>	<input type="checkbox"/>
Painting in two special colours (RAL)	<input type="checkbox"/>	<input type="checkbox"/>
Painting in max. two special colours with the lower part of the machine painted in special colour (RAL)	<input type="checkbox"/>	<input type="checkbox"/>
High-performance lighting system including 8 LED working lights, 24 V	<input type="checkbox"/>	<input type="checkbox"/>
Hydraulic high-pressure water cleaning system with 550-l plastic tank	<input type="checkbox"/>	<input type="checkbox"/>
Two hydraulic high-pressure water cleaning systems with two 550-l plastic tanks	<input type="checkbox"/>	<input type="checkbox"/>
Hydraulic high-pressure water cleaning system with 800-l plastic tank	<input type="checkbox"/>	<input type="checkbox"/>
Additional electrical water pump, 24 V, with 10-m hose and spray gun with handle	<input type="checkbox"/>	<input type="checkbox"/>
Paving Plus package	<input type="checkbox"/>	<input type="checkbox"/>
Self-levelling feature for transport mode	<input type="checkbox"/>	<input type="checkbox"/>
Rotating beacon, halogen 24 V, with magnetic base	<input type="checkbox"/>	<input type="checkbox"/>
Two flashing beacons, 24 V, with magnetic base	<input type="checkbox"/>	<input type="checkbox"/>
Automatic crown adjustment	<input type="checkbox"/>	<input type="checkbox"/>
Two LED floodlights including power generator (230 V)	<input type="checkbox"/>	<input type="checkbox"/>
Two LED floodlights including power generator (110 V)	<input type="checkbox"/>	<input type="checkbox"/>
High-performance lighting system including 4 LED working lights, 24 V, for illuminating the compaction compartment	<input type="checkbox"/>	<input type="checkbox"/>
One hydraulically driven crane system	<input type="checkbox"/>	<input type="checkbox"/>
Two hydraulically driven crane systems	<input type="checkbox"/>	<input type="checkbox"/>
Stringline tensioning system, complete with 1,000 m steel wire rope	<input type="checkbox"/>	<input type="checkbox"/>
Second tensioning winch for levelling the machine using two steel wire ropes	<input type="checkbox"/>	<input type="checkbox"/>
Stringline tensioning system, complete with 4 x 300 m nylon rope	<input type="checkbox"/>	<input type="checkbox"/>
Machine commissioning (day rate)	<input type="checkbox"/>	<input type="checkbox"/>
Export packaging	<input type="checkbox"/>	<input type="checkbox"/>

- = Standard equipment
- = Standard equipment, replaceable with optional equipment
- = Optional equipment

Technical specification

SP 124 L | SP 124 Li

14
15

	SP 124 L	SP 124 Li
Range of applications		
Slab paving application without crown	Paving width: 4.50 m to 12.00 m* ¹ Layer thickness: up to 450 mm* ¹	
Slab paving application with crown	Paving width: 4.50 m to 12.00 m* ¹ Layer thickness: up to 450 mm* ¹	
Concrete spreading equipment		
Spreading plough	Modular extension to up to 12.00 m	
Slab paving equipment		
Slab paving mould type 910 wm (without wearing pan, without crown feature)	Modular extension to up to 12.00 m	
Slab paving mould type 910 wm (with wearing pan, with or without crown feature)	Modular extension to up to 12.00 m	
Oscillating beam	Modular extension to up to 12.00 m	
Super smoother	Modular extension to up to 12.00 m	
Vibrators and circuits		
Hydraulic vibration	24 connectors (optional: 30 or 36 connectors)	
Electric vibration	26 connectors (optional: 34 connectors)	
Hydraulically driven vibrators	Curved (D66)	
Electrically driven vibrators	Curved (D76)	
Engine		
Engine manufacturer	Cummins	Cummins
Type	QSL-8.9 C-365	L9 C430
Cooling	Water	Water
Number of cylinders	6	6
Rated power at 2,100 rpm	272 kW/365 HP/370 PS	321 kW/430 HP/436 PS
Displacement	8,300 cm ³	8,900 cm ³
Fuel consumption, full load	74 l/h	79 l/h
Fuel consumption, ² / ₃ load	57 l/h	56 l/h
Exhaust emission standards	EU Stage IIIa/US Tier 3	EU Stage V/US Tier 4f
Electrical system		
Voltage supply	24 V DC	
Electric vibration	110 V AC 3~ /200 Hz	

	SP 124 L	SP 124 Li
Filling capacities		
Fuel	660 l	
AdBlue®/DEF* ²	-	95 l
Hydraulic oil, electric vibration	300 l	
Hydraulic oil, hydraulic vibration	650 l	
Water	800 l + 800 l	
Driving performance		
Paving speed	0 to 12 m/min	
Travel speed	0 to 25 m/min	
Track units		
Number	4	
Type B4: Dimensions (L x W x H)	2,090 x 430 x 712 mm	
Height adjustment		
Hydraulic	1,000 mm	
Crown		
Variable adjustment range	For paving widths from 4.50 m to 8.00 m: max. 3 %* ³ For paving widths from 8.00 m to 12.00 m: max. 2 %* ³	
Transport dimensions (L x W x H)		
Paving width 4.50 m: Machine with slab paving mould type 910 mm, including spreading plough, oscillating beam and super smoother	8,000 x 3,700 x 3,200 mm	
Paving width 12.00 m: Machine with slab paving mould type 910 mm, including spreading plough, oscillating beam and super smoother	15,500 x 3,700 x 3,200 mm	
Machine weights		
Operating weight, CE* ⁴ (with slab paving mould type 910 mm), 4.50 m	53,000 kg	
Machine weight* ⁵	50,000 to 96,000 kg	

*¹ = Please consult factory for special paving widths, layer thicknesses and optional equipment features

*² = AdBlue® is a registered trademark of the Association of the Automotive Industry (Verband der Automobilindustrie e. V.; VDA)

*³ = Values within standard transport height; please consult factory for special dimensions

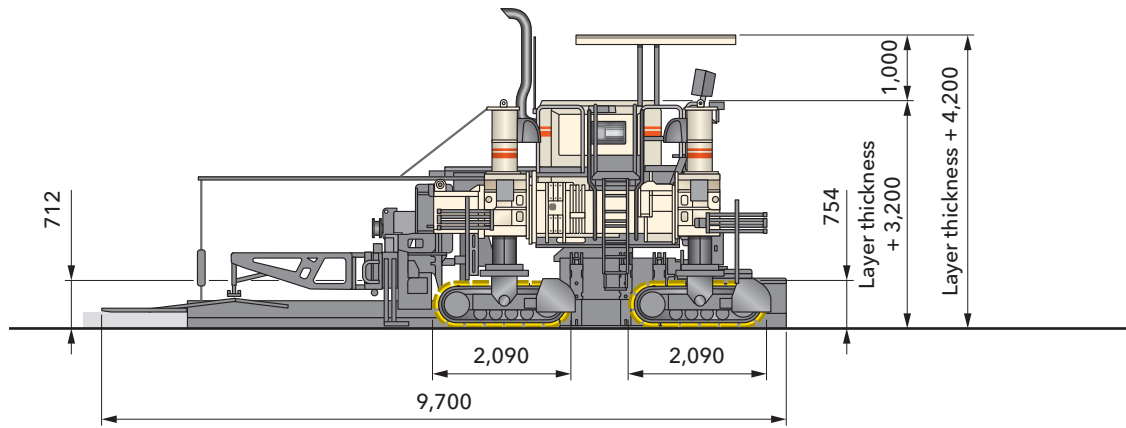
*⁴ = Weight of machine, half weight of all operating materials, on-board tools, machine operator (75 kg), no optional equipment features

*⁵ = Weights depend on the paver's range of equipment and paving width

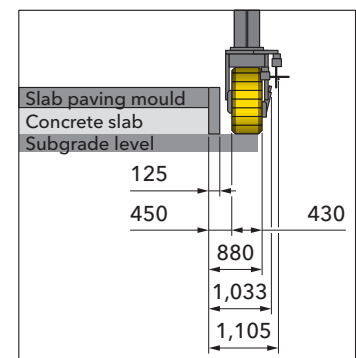
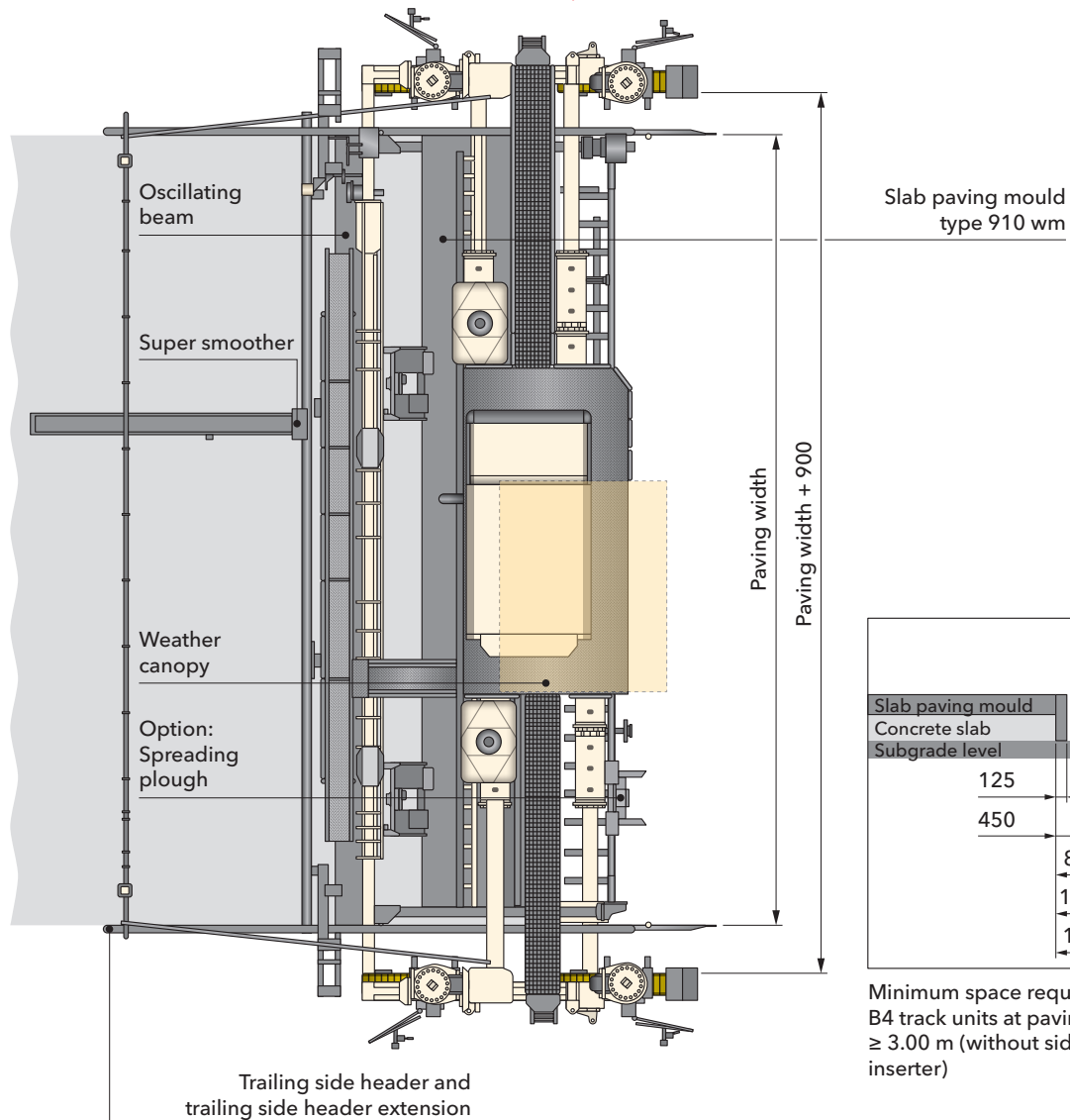
Dimensions

SP 124 L | SP 124 Li

Paving situation: Slipform paver SP 124 L/SP 124 Li equipped with spreading plough, slab paving mould type 910 wm, oscillating beam, super smoother and longitudinal joint tie bar inserter

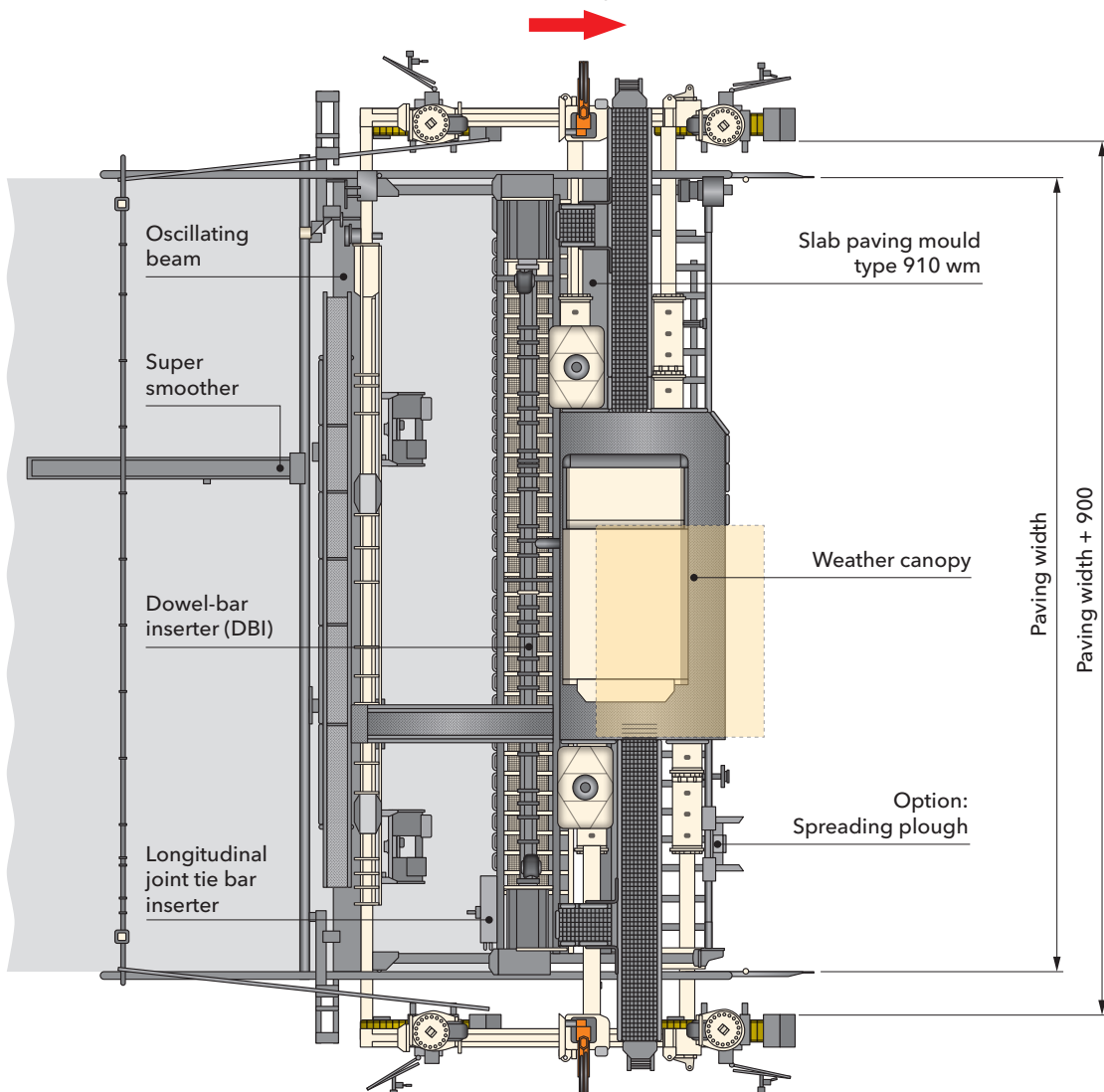
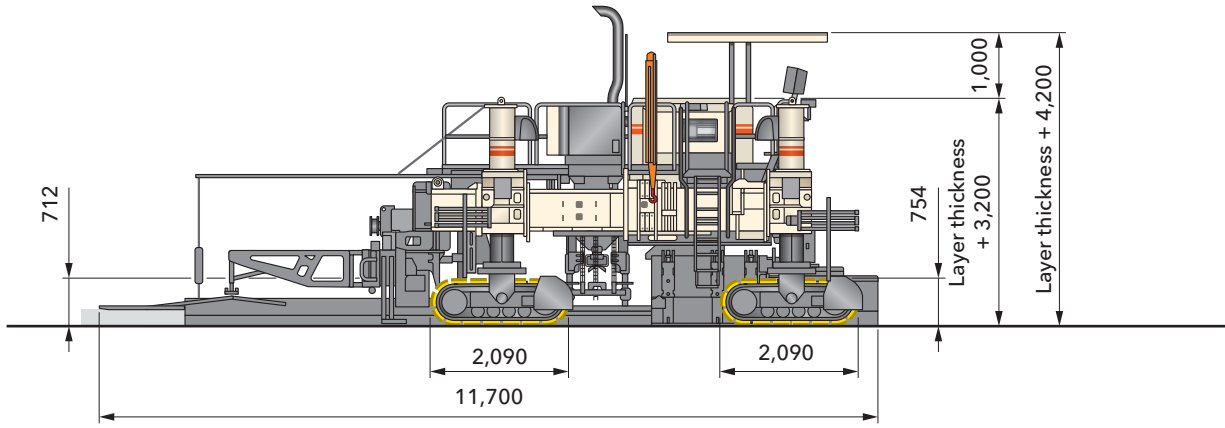


Direction of operation



Minimum space required for B4 track units at paving widths ≥ 3.00 m (without side tie bar inserter)

Paving situation: Slipform paver SP 124 L/SP 124 Li equipped with spreading plough, slab paving mould type 910 mm, dowel-bar inserter (DBI), oscillating beam and super smoother



Standard equipment features

SP 124 L | SP 124 Li

	SP 124 L	SP 124 Li
Basic machine		
Heavy-duty design for accommodating telescoping elements, machine frame telescoping continuously to both sides for accommodating paving moulds between the track units from 4.50 m to 9.50 m (optional: up to 12.00 m) in width	■	■
Heavy-duty steel frame telescoping continuously by a total of 2.20 m on both sides; can be optionally extended by up to 2 x 3.75 m using fixed-width extension elements	■	■
The machine frame is pre-fitted with multiple mounting points for the modular addition of a variety of equipment features	■	■
Hydraulic telescoping feature for extending the machine frame in longitudinal direction to accommodate additional optional features (dowel bar inserter, longitudinal joint tie bar inserters)	■	■
Fuel tank, 660 l	■	■
Electrical system (24 V)	■	■
Cooling system with temperature-controlled fan speed	■	■
Hydraulic system including an adequately sized hydraulic oil tank and a pump transfer gearbox with four output shafts and the pumps required for the machine's basic equipment package	■	■
Main frame and height adjustment		
Frame elements for mechanical telescoping in increments to working widths of up to 9.50 m	□	□
Chassis and chassis linkage		
Four height-adjustable track units with hydraulic rotational drives and hydraulic longitudinal telescoping feature	■	■
Machine control, levelling and steering		
WI-CONTROL - high-quality control system ensuring perfect interaction between all machine features	■	■
Error messages are displayed on the machine's control screen	■	■
The existing CAN-bus system can be expanded to customer specifications	■	■
ECO mode: performance-optimized engine management system for reduced diesel consumption and low noise emissions	■	■
Proportional electrohydraulic levelling and steering by means of a PLC system including four levelling sensors and two steering sensors	■	■
Sensor mounting brackets, adjustable in height and range	■	■
Four hydraulic levelling cylinders with a stroke of 1.00 m	■	■
Vibration		
Hydraulic vibrator drive for max. 24 vibrators	□	□
12 curved vibrators D66, hydraulically driven	□	□

- = Standard equipment
- = Standard equipment, replaceable with optional equipment
- = Optional equipment

	SP 124 L	SP 124 Li
Concrete equipment for slab paving		
Paving mould 910 mm, basic width 4.50 m, without crown, with trailing side header and trailing side header extension 260 mm, including crosslink	<input type="checkbox"/>	<input type="checkbox"/>
Single-piece sideplate for paving mould series 910 mm; valve position on side support	<input type="checkbox"/>	<input type="checkbox"/>
Operator's platform		
Ergonomically designed operator's platform providing a perfect view of the paving process	<input checked="" type="checkbox"/>	<input checked="" type="checkbox"/>
Three control panels with clear, language-independent labelling for ergonomic operation	<input checked="" type="checkbox"/>	<input checked="" type="checkbox"/>
Control panel 1 for machine setup according to site requirements	<input checked="" type="checkbox"/>	<input checked="" type="checkbox"/>
Control panel 2 with multifunctional control screen providing the operator with all relevant machine parameters and allowing settings to be made via a menu	<input checked="" type="checkbox"/>	<input checked="" type="checkbox"/>
Control panels 1 and 3 can be adjusted to all directions of travel and paving configurations	<input checked="" type="checkbox"/>	<input checked="" type="checkbox"/>
Control panel 3 for controlling the concrete equipment	<input checked="" type="checkbox"/>	<input checked="" type="checkbox"/>
Two control panels can be stored in the engine compartment; the third control panel can be protected against vandalism and weather by means of a lockable cover	<input checked="" type="checkbox"/>	<input checked="" type="checkbox"/>
Automatic recognition of each machine configuration provides easy orientation for the machine operator	<input checked="" type="checkbox"/>	<input checked="" type="checkbox"/>
Miscellaneous		
Comprehensive toolkit in lockable toolbox including torque multiplier and torque wrench	<input checked="" type="checkbox"/>	<input checked="" type="checkbox"/>
Comprehensive safety package with EMERGENCY STOP switches	<input checked="" type="checkbox"/>	<input checked="" type="checkbox"/>
Pre-fitting for installing the WITOS FleetView control unit	<input checked="" type="checkbox"/>	<input checked="" type="checkbox"/>
Filling of the machine's hydraulic system with mineral hydraulic oil	<input checked="" type="checkbox"/>	<input checked="" type="checkbox"/>
Standard painting in RAL 9001 (cream)	<input type="checkbox"/>	<input type="checkbox"/>
WITOS FleetView - professional telematics solution to optimize machine use and servicing	<input type="checkbox"/>	<input type="checkbox"/>
Lighting system including 4 halogen working lights, 24 V	<input type="checkbox"/>	<input type="checkbox"/>

- = Standard equipment
- = Standard equipment, replaceable with optional equipment
- = Optional equipment

Optional equipment features

SP 124 L | SP 124 Li

20
21

	SP 124 L	SP 124 Li
Main frame and height adjustment		
Frame elements for mechanical telescoping in increments to working widths of up to 12.00 m	<input type="checkbox"/>	<input type="checkbox"/>
Machine control, levelling and steering		
Two slab tracers	<input type="checkbox"/>	<input type="checkbox"/>
Four slab tracers	<input type="checkbox"/>	<input type="checkbox"/>
Control console for manual track unit steering	<input type="checkbox"/>	<input type="checkbox"/>
Pre-fitting for 3D levelling	<input type="checkbox"/>	<input type="checkbox"/>
Additional slope sensors for 3D levelling	<input type="checkbox"/>	<input type="checkbox"/>
Concrete spreading equipment for slab paving		
Spreading plough - basic width 4.50 m	<input type="checkbox"/>	<input type="checkbox"/>
Spreading plough - extension element 0.25 m	<input type="checkbox"/>	<input type="checkbox"/>
Spreading plough - extension element 0.40 m	<input type="checkbox"/>	<input type="checkbox"/>
Spreading plough - extension element 0.50 m	<input type="checkbox"/>	<input type="checkbox"/>
Spreading plough - extension element 0.60 m	<input type="checkbox"/>	<input type="checkbox"/>
Spreading plough - extension element 0.75 m	<input type="checkbox"/>	<input type="checkbox"/>
Spreading plough - extension element 1.00 m	<input type="checkbox"/>	<input type="checkbox"/>
Spreading plough - extension element 2.00 m	<input type="checkbox"/>	<input type="checkbox"/>
Vibration		
Hydraulic vibrator drive for max. 30 vibrators	<input type="checkbox"/>	<input type="checkbox"/>
Hydraulic vibrator drive for max. 36 vibrators	<input type="checkbox"/>	<input type="checkbox"/>
Electric vibrator drive with 60-kVA generator for max. 26 vibrators	<input type="checkbox"/>	<input type="checkbox"/>
Electric vibrator drive with 60-kVA generator for max. 34 vibrators	<input type="checkbox"/>	<input type="checkbox"/>
12 curved vibrators D76, electrically driven	<input type="checkbox"/>	<input type="checkbox"/>
Curved vibrator D66, hydraulically driven	<input type="checkbox"/>	<input type="checkbox"/>
Curved vibrator D76, electrically driven	<input type="checkbox"/>	<input type="checkbox"/>
Concrete equipment for slab paving		
Metering gate for paving mould with/without crown - basic width 4.50 m (optional: up to 12.00 m)	<input type="checkbox"/>	<input type="checkbox"/>
Automatic metering gate control for concrete paving mould	<input type="checkbox"/>	<input type="checkbox"/>

- = Standard equipment
- = Standard equipment, replaceable with optional equipment
- = Optional equipment

	SP 124 L	SP 124 Li
Concrete equipment for slab paving		
Metering gate - extension element 0.25 m	<input type="checkbox"/>	<input type="checkbox"/>
Metering gate - extension element 0.40 m	<input type="checkbox"/>	<input type="checkbox"/>
Metering gate - extension element 0.50 m	<input type="checkbox"/>	<input type="checkbox"/>
Metering gate - extension element 0.60 m	<input type="checkbox"/>	<input type="checkbox"/>
Metering gate - extension element 0.75 m	<input type="checkbox"/>	<input type="checkbox"/>
Metering gate - extension element 1.00 m	<input type="checkbox"/>	<input type="checkbox"/>
Metering gate - extension element 2.00 m	<input type="checkbox"/>	<input type="checkbox"/>
Paving mould 910 wm, basic width 4.50 m, with/without crown, with trailing side header and trailing side header extension 260 mm, including crosslink	<input type="checkbox"/>	<input type="checkbox"/>
Two-piece sideplate for paving mould series 910 wm for the production of construction joints; valve position on side support	<input type="checkbox"/>	<input type="checkbox"/>
Paving mould series 910 wm - extension element 0.25 m	<input type="checkbox"/>	<input type="checkbox"/>
Paving mould series 910 wm - extension element 0.40 m	<input type="checkbox"/>	<input type="checkbox"/>
Paving mould series 910 wm - extension element 0.50 m	<input type="checkbox"/>	<input type="checkbox"/>
Paving mould series 910 wm - extension element 0.60 m	<input type="checkbox"/>	<input type="checkbox"/>
Paving mould series 910 wm - extension element 0.75 m	<input type="checkbox"/>	<input type="checkbox"/>
Paving mould series 910 wm - extension element 1.00 m	<input type="checkbox"/>	<input type="checkbox"/>
Paving mould series 910 wm - extension element 2.00 m	<input type="checkbox"/>	<input type="checkbox"/>
Automatic dowel bar inserter (DBI) for use without crown - basic width 4.50 m	<input type="checkbox"/>	<input type="checkbox"/>
Automatic dowel bar inserter (DBI) for use with crown - basic width 4.50 m	<input type="checkbox"/>	<input type="checkbox"/>
Base group for dowel bar inserter (DBI) for paving widths of up to 4.50 m	<input type="checkbox"/>	<input type="checkbox"/>
Base group for dowel bar inserter (DBI) for paving widths of up to 5.00 m	<input type="checkbox"/>	<input type="checkbox"/>
Base group for dowel bar inserter (DBI) for paving widths of up to 6.00 m	<input type="checkbox"/>	<input type="checkbox"/>
Base group for dowel bar inserter (DBI) for paving widths of up to 7.00 m	<input type="checkbox"/>	<input type="checkbox"/>
Base group for dowel bar inserter (DBI) for paving widths of up to 8.00 m	<input type="checkbox"/>	<input type="checkbox"/>
Base group for dowel bar inserter (DBI) for paving widths of up to 9.00 m	<input type="checkbox"/>	<input type="checkbox"/>
Base group for dowel bar inserter (DBI) for paving widths of up to 10.00 m	<input type="checkbox"/>	<input type="checkbox"/>
Base group for dowel bar inserter (DBI) for paving widths of up to 11.00 m	<input type="checkbox"/>	<input type="checkbox"/>
Base group for dowel bar inserter (DBI) for paving widths of up to 12.00 m	<input type="checkbox"/>	<input type="checkbox"/>

- = Standard equipment
- = Standard equipment, replaceable with optional equipment
- = Optional equipment

Optional equipment features

SP 124 L | SP 124 Li

22
23

	SP 124 L	SP 124 Li
Concrete equipment for slab paving		
Dowel bar inserter (DBI) - extension element 0.25 m	<input type="checkbox"/>	<input type="checkbox"/>
Dowel bar inserter (DBI) - extension element 0.40 m	<input type="checkbox"/>	<input type="checkbox"/>
Dowel bar inserter (DBI) - extension element 0.50 m	<input type="checkbox"/>	<input type="checkbox"/>
Dowel bar inserter (DBI) - extension element 0.60 m	<input type="checkbox"/>	<input type="checkbox"/>
Dowel bar inserter (DBI) - extension element 0.75 m	<input type="checkbox"/>	<input type="checkbox"/>
Dowel bar inserter (DBI) - extension element 1.00 m	<input type="checkbox"/>	<input type="checkbox"/>
Dowel bar inserter (DBI) - extension element 2.00 m	<input type="checkbox"/>	<input type="checkbox"/>
Eye bolts as modification aid for altering the width of the dowel bar inserter (DBI)	<input type="checkbox"/>	<input type="checkbox"/>
DBI self-loading device including diesel-powered hydraulic unit (AG3)	<input type="checkbox"/>	<input type="checkbox"/>
One longitudinal joint tie bar inserter for tie bars \varnothing 12 - 25 mm, length 400 - 800 mm	<input type="checkbox"/>	<input type="checkbox"/>
Two longitudinal joint tie bar inserters for tie bars \varnothing 12 - 25 mm, length 400 - 800 mm	<input type="checkbox"/>	<input type="checkbox"/>
Three longitudinal joint tie bar inserters for tie bars \varnothing 12 - 25 mm, length 400 - 800 mm	<input type="checkbox"/>	<input type="checkbox"/>
One longitudinal joint tie bar inserter for tie bars \varnothing 12 - 25 mm, length 800 - 1,200 mm	<input type="checkbox"/>	<input type="checkbox"/>
Two longitudinal joint tie bar inserters for tie bars \varnothing 12 - 25 mm, length 800 - 1,200 mm	<input type="checkbox"/>	<input type="checkbox"/>
Three longitudinal joint tie bar inserters for tie bars \varnothing 12 - 25 mm, length 800 - 1,200 mm	<input type="checkbox"/>	<input type="checkbox"/>
Frame extension + electrical control system for dowel bar inserter (DBI) and longitudinal joint tie bar inserter for working widths of up to 9.50 m, for machine without pivoting legs	<input type="checkbox"/>	<input type="checkbox"/>
Frame extension + electrical control system for dowel bar inserter (DBI) and longitudinal joint tie bar inserter for working widths of up to 12.00 m, for machine without pivoting legs	<input type="checkbox"/>	<input type="checkbox"/>
Frame extension + electrical control system for dowel bar inserter (DBI) and longitudinal joint tie bar inserter for working widths of up to 9.50 m, machine with pivoting legs	<input type="checkbox"/>	<input type="checkbox"/>
Frame extension + electrical control system for dowel bar inserter (DBI) and longitudinal joint tie bar inserter for working widths of up to 12.00 m, machine with pivoting legs	<input type="checkbox"/>	<input type="checkbox"/>
Oscillating beam without crown - basic width 4.50 m	<input type="checkbox"/>	<input type="checkbox"/>
Oscillating beam with/without crown - basic width 4.50 m	<input type="checkbox"/>	<input type="checkbox"/>
Oscillating beam - extension element 0.25 m	<input type="checkbox"/>	<input type="checkbox"/>
Oscillating beam - extension element 0.40 m	<input type="checkbox"/>	<input type="checkbox"/>
Oscillating beam - extension element 0.50 m	<input type="checkbox"/>	<input type="checkbox"/>
Oscillating beam - extension element 0.60 m	<input type="checkbox"/>	<input type="checkbox"/>
Oscillating beam - extension element 0.75 m	<input type="checkbox"/>	<input type="checkbox"/>
Oscillating beam - extension element 1.00 m	<input type="checkbox"/>	<input type="checkbox"/>
Oscillating beam - extension element 2.00 m	<input type="checkbox"/>	<input type="checkbox"/>
Super smoother - basic width 4.50 m (reversible to 2.00 m)	<input type="checkbox"/>	<input type="checkbox"/>
Super smoother - extension element 0.25 m	<input type="checkbox"/>	<input type="checkbox"/>
Super smoother - extension element 0.40 m	<input type="checkbox"/>	<input type="checkbox"/>
Super smoother - extension element 0.50 m	<input type="checkbox"/>	<input type="checkbox"/>
Super smoother - extension element 0.60 m	<input type="checkbox"/>	<input type="checkbox"/>
Super smoother - extension element 0.75 m	<input type="checkbox"/>	<input type="checkbox"/>

- = Standard equipment
- = Standard equipment, replaceable with optional equipment
- = Optional equipment

	SP 124 L	SP 124 Li
Concrete equipment for slab paving		
Super smoother - extension element 1.00 m	<input type="checkbox"/>	<input type="checkbox"/>
Super smoother - extension element 2.00 m	<input type="checkbox"/>	<input type="checkbox"/>
One side tie bar inserter for straight tie bars, max. ø 20 mm, length 800 mm	<input type="checkbox"/>	<input type="checkbox"/>
Two side tie bar inserters for straight tie bars, max. ø 20 mm, length 800 mm	<input type="checkbox"/>	<input type="checkbox"/>
Operator's platform		
Weather canopy for operator's platform, hydraulically telescoping in height, with LED lighting	<input type="checkbox"/>	<input type="checkbox"/>
Miscellaneous		
Painting in one special colour (RAL)	<input type="checkbox"/>	<input type="checkbox"/>
Painting in two special colours (RAL)	<input type="checkbox"/>	<input type="checkbox"/>
Painting in max. two special colours with the lower part of the machine painted in special colour (RAL)	<input type="checkbox"/>	<input type="checkbox"/>
High-performance lighting system including 8 LED working lights, 24 V	<input type="checkbox"/>	<input type="checkbox"/>
Hydraulic high-pressure water cleaning system with 800-l plastic tank	<input type="checkbox"/>	<input type="checkbox"/>
Two hydraulic high-pressure water cleaning systems with two 800-l steel tanks	<input type="checkbox"/>	<input type="checkbox"/>
Additional electrical water pump, 24 V, with 10-m hose and spray gun with handle	<input type="checkbox"/>	<input type="checkbox"/>
Self-levelling feature for transport mode	<input type="checkbox"/>	<input type="checkbox"/>
Additional control console for track unit adjustment	<input type="checkbox"/>	<input type="checkbox"/>
Rotating beacon, halogen 24 V, with magnetic base	<input type="checkbox"/>	<input type="checkbox"/>
Two flashing beacons, 24 V, with magnetic base	<input type="checkbox"/>	<input type="checkbox"/>
Automatic crown adjustment	<input type="checkbox"/>	<input type="checkbox"/>
Two LED floodlights including power generator (230 V)	<input type="checkbox"/>	<input type="checkbox"/>
Two LED floodlights including power generator (110 V)	<input type="checkbox"/>	<input type="checkbox"/>
High-performance lighting system including 4 LED working lights, 24 V, for illuminating the compaction compartment	<input type="checkbox"/>	<input type="checkbox"/>
One hydraulically driven crane system	<input type="checkbox"/>	<input type="checkbox"/>
Two hydraulically driven crane systems	<input type="checkbox"/>	<input type="checkbox"/>
Stringline tensioning system, complete with 1,000 m steel wire rope	<input type="checkbox"/>	<input type="checkbox"/>
Second tensioning winch for levelling the machine using two steel wire ropes	<input type="checkbox"/>	<input type="checkbox"/>
Stringline tensioning system, complete with 4 x 300 m nylon rope	<input type="checkbox"/>	<input type="checkbox"/>
Machine commissioning (day rate)	<input type="checkbox"/>	<input type="checkbox"/>
Export packaging	<input type="checkbox"/>	<input type="checkbox"/>

- = Standard equipment
- = Standard equipment, replaceable with optional equipment
- = Optional equipment



WIRTGEN GmbH

Reinhard-Wirtgen-Str. 2 · 53578 Windhagen · Germany
Phone: +49 (0)26 45/131-0 · Fax: +49 (0)26 45/131-392
Internet: www.wirtgen.com · E-Mail: info@wirtgen.com

