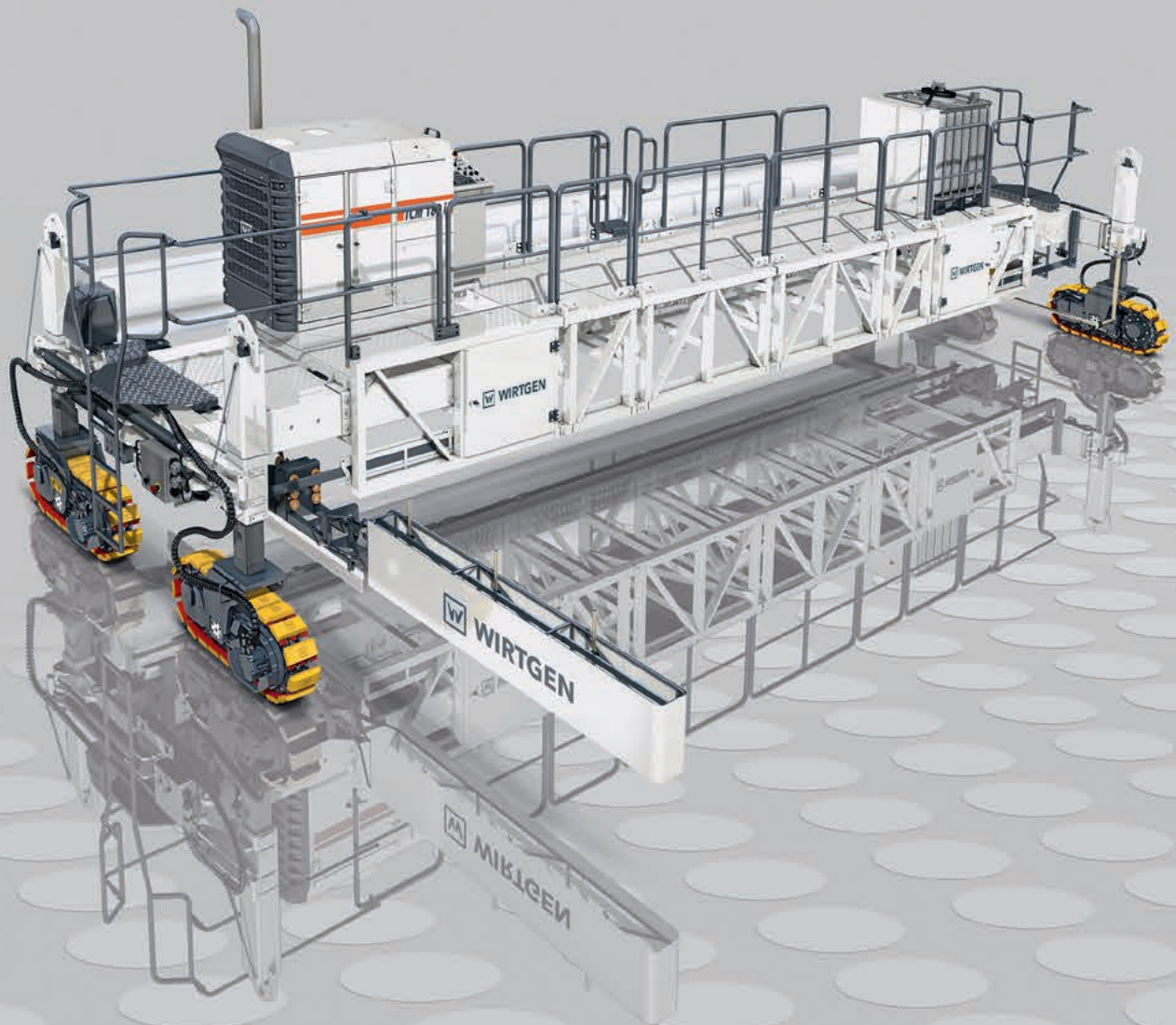


Perfect texture and protection of concrete surfaces.

Texture curing machine

TCM 95 | TCM 95i | TCM 180 | TCM 180i



At a glance: outstanding features of the texture curing machine

02
03



WISH TO LEARN
MORE?

See our product
animations.



Highlights in operation

- > High level of operator comfort on the operator's platform
- > Standardized operating concept in line with the current SP model ranges
- > Ergonomically designed controls for intuitive operation
- > State-of-the-art, clearly structured main control panel
- > Separate control consoles for longitudinal texturing features, transverse texturing features, service and diagnostic features, and telescoping feature
- > All adjustment features offer electrohydraulic control
- > Automatic adjustment of all components for central crown applications

Highlights in driving and levelling

- > High-precision traction drive featuring proportional control
- > Two different speed ranges
- > Wheel-mounted or track-mounted design
- > High precision and manoeuvrability
- > High-precision height adjustment featuring proportional control
- > Scanning by means of stringline or slab tracer (reference surface)
- > Optional scanning of the concrete surface by means of an ultrasonic sensor in 3D applications
- > Turning on the spot at the mere push of a button

Highlights in concrete curing

- > Functional film unwinder
- > Mounting rail for burlap or artificial turf
- > Effective lateral broom-cleaning unit
- > Optimized transverse broom finish and spraying feature
- > Selection feature for longitudinal or transverse broom finish
- > Selection feature for longitudinal or transverse spraying
- > Diagonal broom finish and spraying feature
- > Meander spraying feature
- > Minor modification requirements when switching applications
- > Spray heads with three spray nozzles each for reliable longitudinal spraying

Highlights in performance and productivity

- > Engine models complying with EU Stage 3a / US Tier 3 or the stringent EU Stage 4 / US Tier 4f emission standards
- > Fuel-efficient ECO mode and temperature-controlled fan speed (EU Stage 4 / US Tier 4f only)
- > Engine with optional diesel particulate filter (EU Stage 4 / US Tier 4f only)
- > Numerous automated features
- > Lightweight working platform of high-quality aluminium
- > Hot-water heating system for easy cleaning of the spraying system
- > Quick maintenance
- > Separate supports
- > Compact transport dimensions
- > Minimum modification requirements



Highlights in operation

04
05

ERGONOMIC
DESIGN AND EASE
OF OPERATION

AUTOMATIC
ADJUSTMENT OF
CENTRAL CROWN

HIGH LEVEL OF OPERATOR
COMFORT ON THE
OPERATOR'S PLATFORM





**ADDITIONAL
CONTROL CONSOLES**

HIGH LEVEL OF OPERATOR COMFORT ON THE OPERATOR'S PLATFORM

Optional features such as canopy, stand-up seat or hoisting crane for the curing compound tanks enhance work efficiency.

ERGONOMIC DESIGN AND EASE OF OPERATION

Ease of operation and ergonomically designed controls improve operator performance and therefore increase the machine's overall productivity.

AUTOMATIC ADJUSTMENT OF CENTRAL CROWN

When altering the central crown, the components involved are adjusted automatically, allowing the operation to continue quickly and precisely without requiring additional operator intervention.

ADDITIONAL CONTROL CONSOLES

The process is optimized by separate, individually positionable control consoles for controlling the longitudinal or transverse texturing features and for hydraulic telescoping of the machine frame. The control console for service and diagnostic features enables specific diagnostic procedures to be performed.

ELECTROHYDRAULIC ADJUSTMENT FEATURES

All adjustment features offer electrohydraulic control and can be operated quickly and easily via the different control consoles.

STATE-OF-THE-ART MAIN CONTROL PANEL

The main control panel with state-of-the-art control system and central PCB is positioned next to the engine station and features language-independent labelling and controls arranged in line with functional groups.

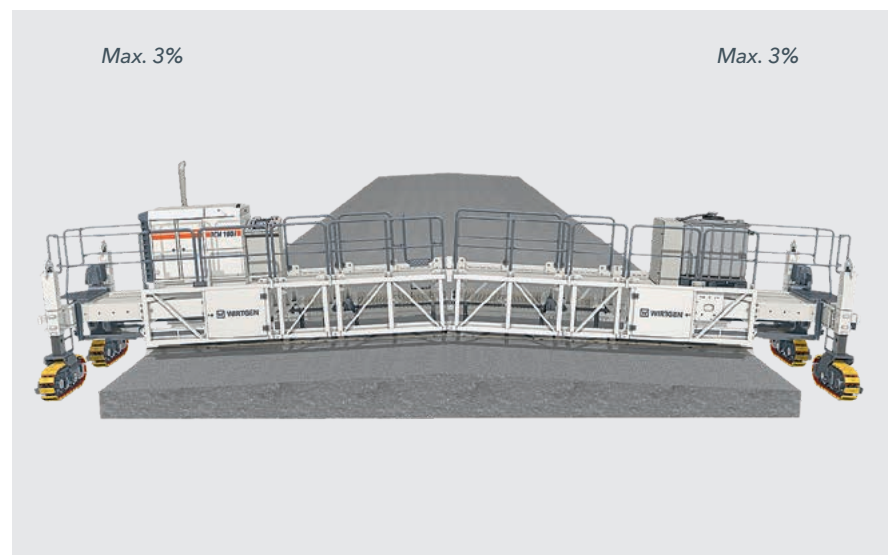
STANDARDIZED OPERATING CONCEPT

The standardized operating concept in line with the current SP model ranges offers additional synergistic effects.

**ELECTROHYDRAULIC
ADJUSTMENT FEATURES**

**STATE-OF-THE-ART
MAIN CONTROL PANEL**

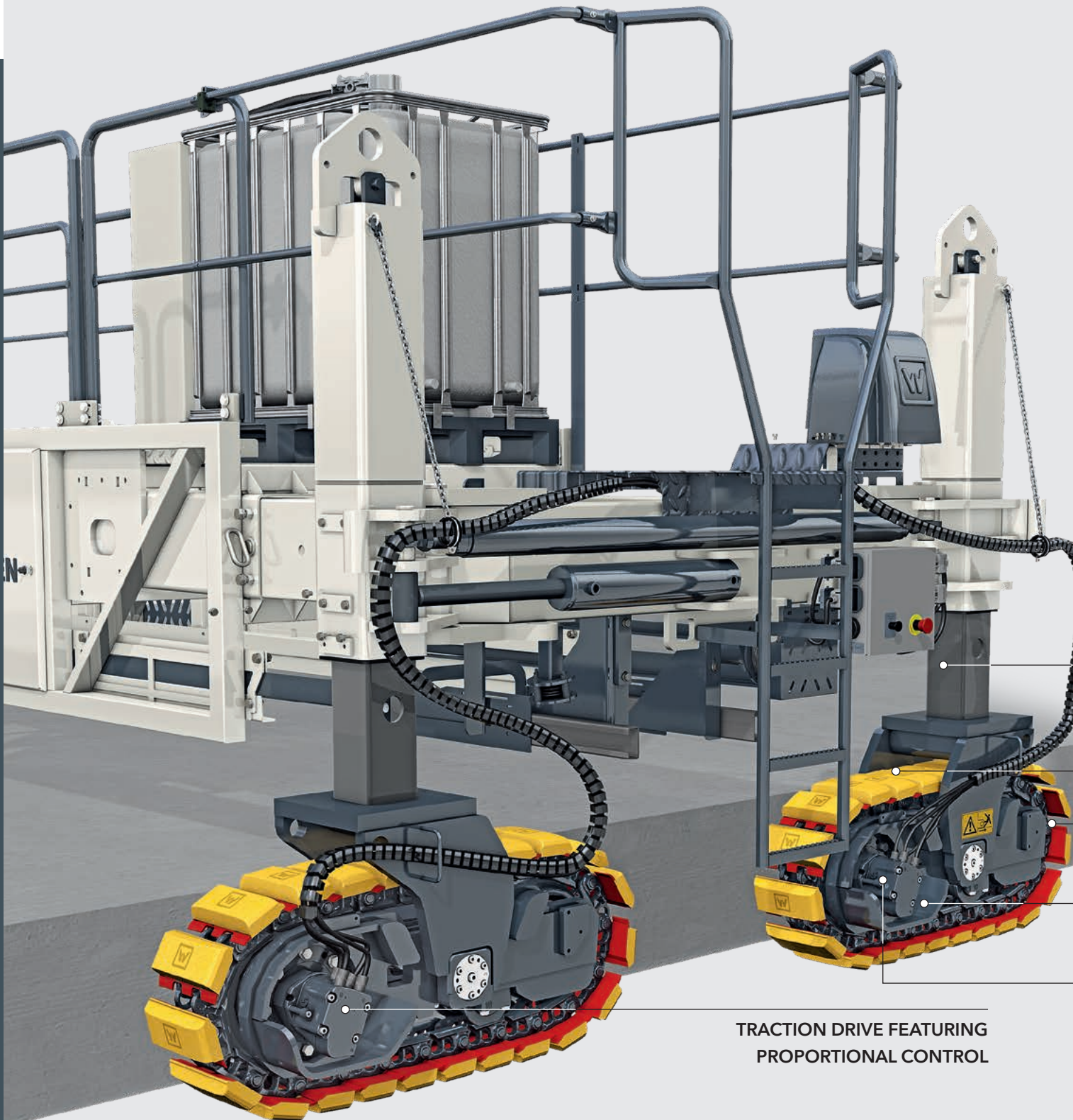
**STANDARDIZED
OPERATING CONCEPT**



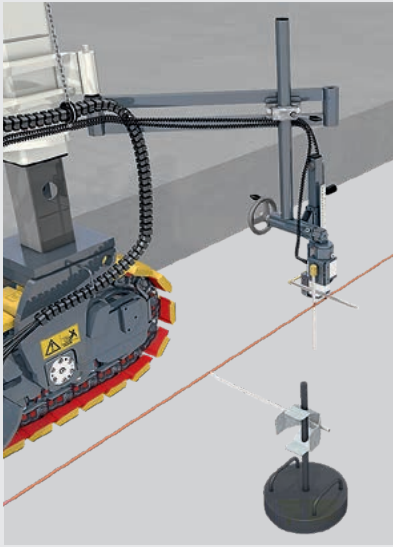
Fully automatic adjustment of the machine to the pavement's cross-section.

Highlights in driving and levelling

06
07



TRACTION DRIVE FEATURING
PROPORTIONAL CONTROL



RELIABLE SCANNING METHODS

RELIABLE SCANNING METHODS

Transducers on the stringline or slab tracers on the previously paved concrete slab are tried-and-tested levelling methods.

SCANNING VIA ULTRASONIC SENSORS

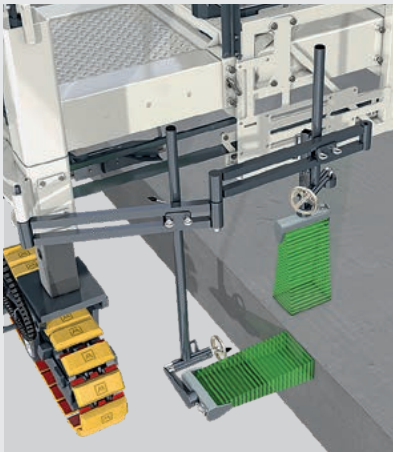
Stringless concrete paving using, for example, 3D control allows the previously paved concrete slab to be scanned by ultrasonic sensors during the curing process.

HEIGHT ADJUSTMENT FEATURING PROPORTIONAL CONTROL

Height adjustment featuring proportional control guarantees full compliance with the specified machine height.

PRECISION AND MANOEUVRABILITY

The innovative skid steering system ensures highest steering precision in operation, whilst the patented transport steering system ensures optimum manoeuvrability during transport.



SCANNING VIA ULTRASONIC SENSORS

WHEEL-MOUNTED OR TRACK-MOUNTED DESIGN

The texture curing machine can be supplied in either wheel-mounted or track-mounted design in accordance with customer requirements.

ROTATING FEATURE

The rotating feature allows the machine to be turned on the spot at the mere push of a button.

TWO SPEED RANGES

State-of-the-art drive gearboxes and drive motors enable different advance speeds in operating and transport mode.

TRACTION DRIVE FEATURING PROPORTIONAL CONTROL

The machine's traction drive featuring proportional control guarantees continuously adjustable, highly precise operating and transport speeds.

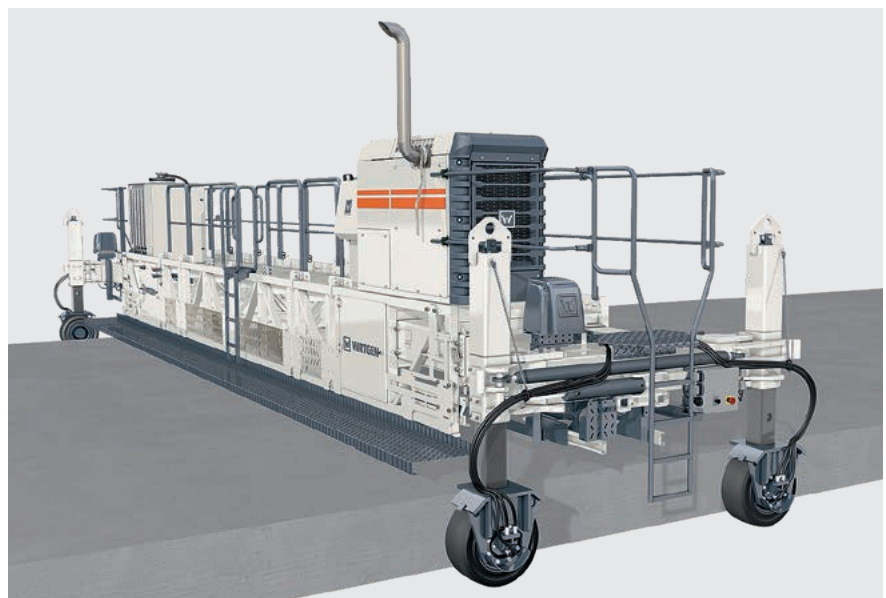
HEIGHT ADJUSTMENT
FEATURING PROPORTIONAL
CONTROL

PRECISION AND
MANOEUVRABILITY

WHEEL-MOUNTED OR
TRACK-MOUNTED DESIGN

ROTATING FEATURE

TWO SPEED RANGES

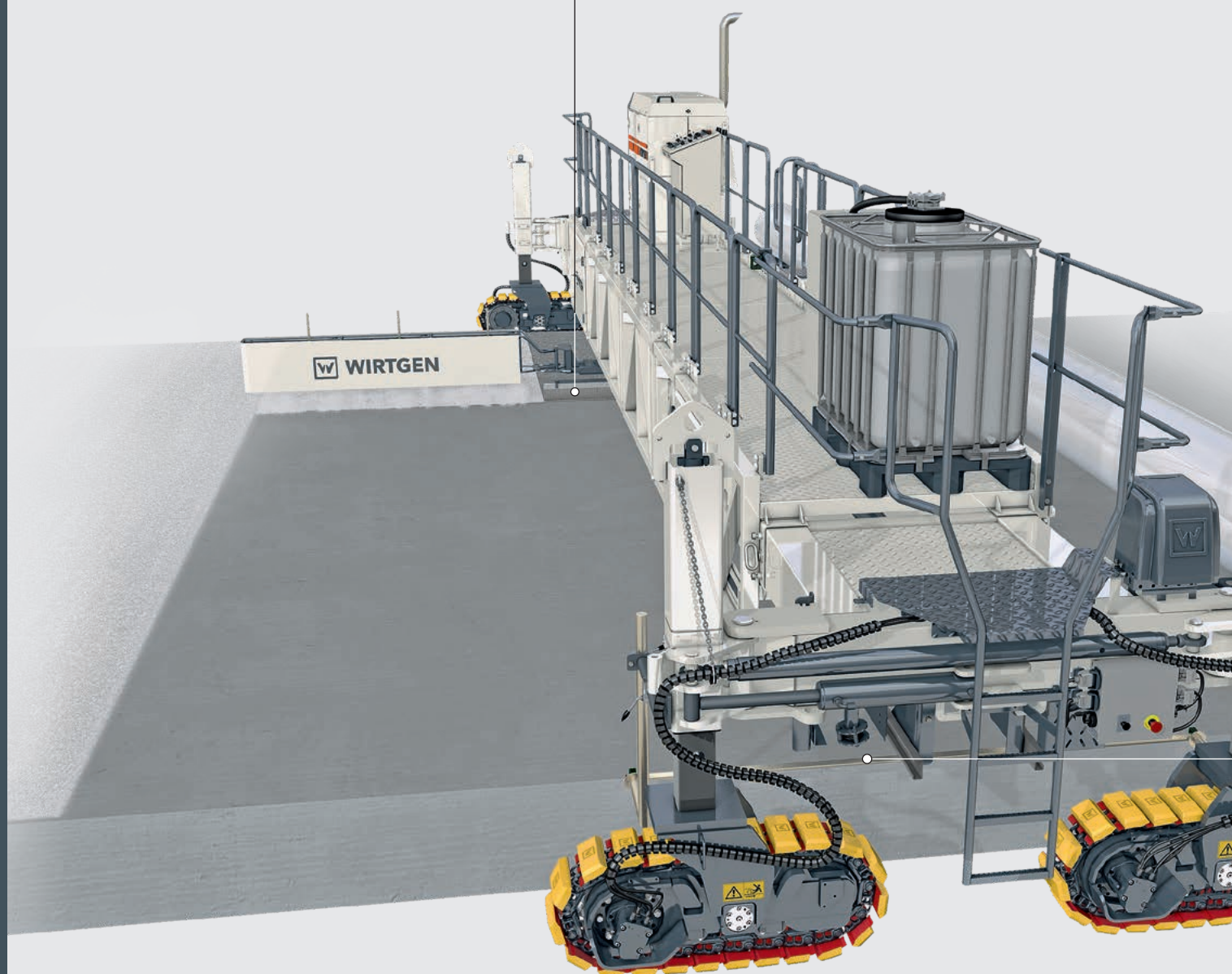


The TCM 95/TCM 95i is fitted with four wheels, the TCM 180/TCM 180i with four track units.

Highlights in concrete curing

08
09

OPTIMIZED TRANSVERSE BROOM
FINISH AND SPRAYING FEATURE





MOUNTING RAIL FOR BURLAP OR ARTIFICIAL TURF

OPTIMIZED TRANSVERSE BROOM FINISH AND SPRAYING FEATURE

The transverse carriage guide has been improved to achieve more accurate broom finish and spraying results.

MOUNTING RAIL FOR BURLAP OR ARTIFICIAL TURF

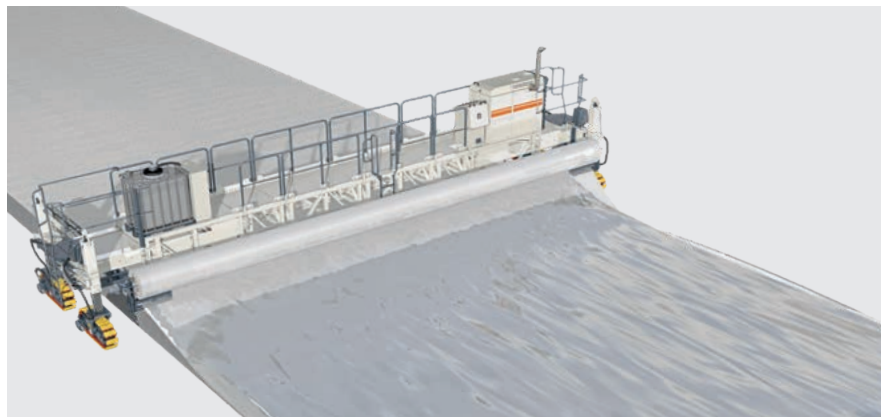
A mounting rail for burlap or artificial turf permits the creation of a surface texture offering excellent skid resistance.

FILM UNWINDER

A mounting fixture for unwinding a full-width film enables the freshly paved concrete surface to be protected against damage caused by heavy rain.

LATERAL BROOM-CLEANING UNIT

During the change in direction, the broom-cleaning unit removes the slurry sticking to the broom when applying a transverse broom finish. The inclination of the broom can be adjusted to requirements prior to being placed on the concrete surface.

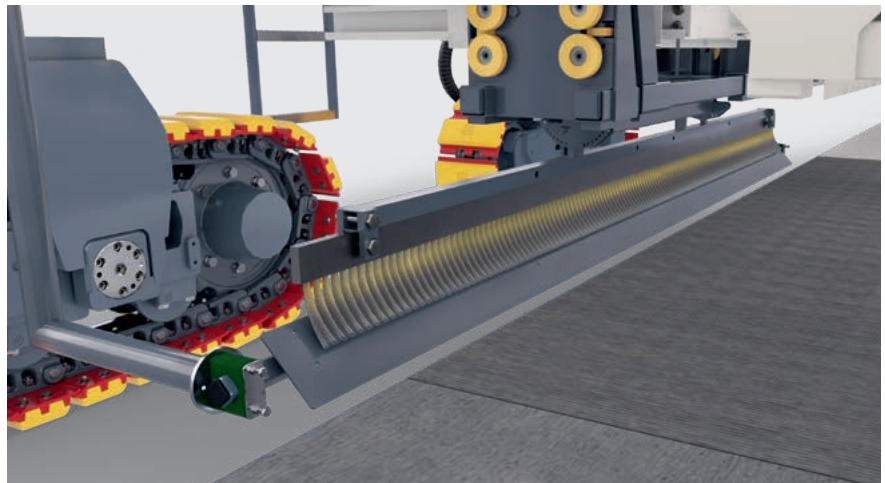


Film unwinder for effective protection of the concrete in case of rain.



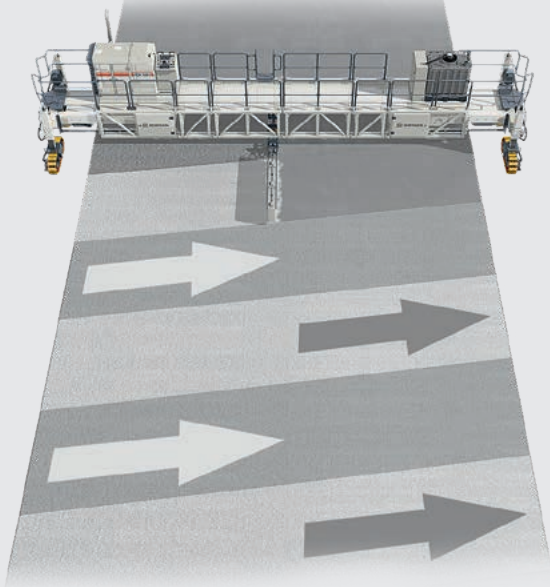
FILM UNWINDER

LATERAL BROOM-CLEANING UNIT

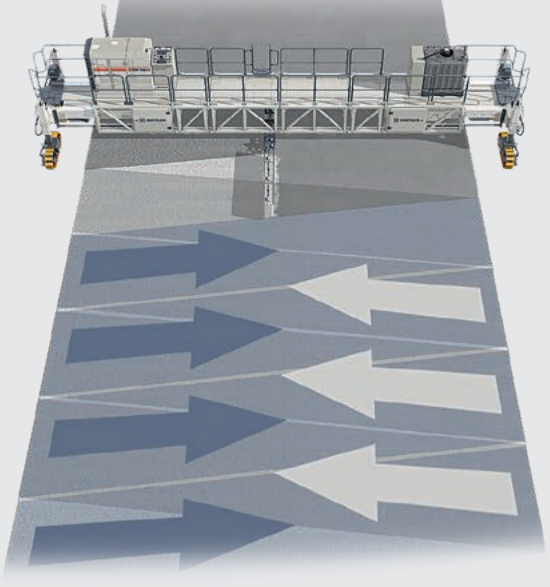


The broom-cleaning unit removes slurry sticking to the broom.

Highlights in concrete curing



DIAGONAL BROOM FINISH
AND SPRAYING FEATURE



MEANDER SPRAYING
FEATURE



DIAGONAL BROOM FINISH AND SPRAYING FEATURE

The texture curing machine is capable of applying a diagonal broom finish and spraying diagonally across the concrete slab in a single operation.

MEANDER SPRAYING FEATURE

The texture curing machine is capable of spraying across the full width of the concrete slab evenly in transverse direction during continuous forward travel. The meander spraying feature additionally permits exposed aggregate concrete construction which is used quite frequently in Europe.

MINOR MODIFICATION REQUIREMENTS WHEN SWITCHING APPLICATIONS

When switching between the different spraying and broom finish features, modification is completed quickly by well-trained staff.

SPRAY HEAD WITH THREE SPRAY NOZZLES

All spray heads are fitted with three separate spray nozzles each in order to minimize breaks in operation during longitudinal spraying in case of a nozzle failure.

SELECTION FEATURE FOR LONGITUDINAL OR TRANSVERSE SPRAYING

The texture curing machine is capable of spraying in longitudinal or transverse direction of the concrete slab in accordance with site requirements. Both modes of operation include spraying of the lateral concrete edges.

SELECTION FEATURE FOR LONGITUDINAL OR TRANSVERSE BROOM FINISH

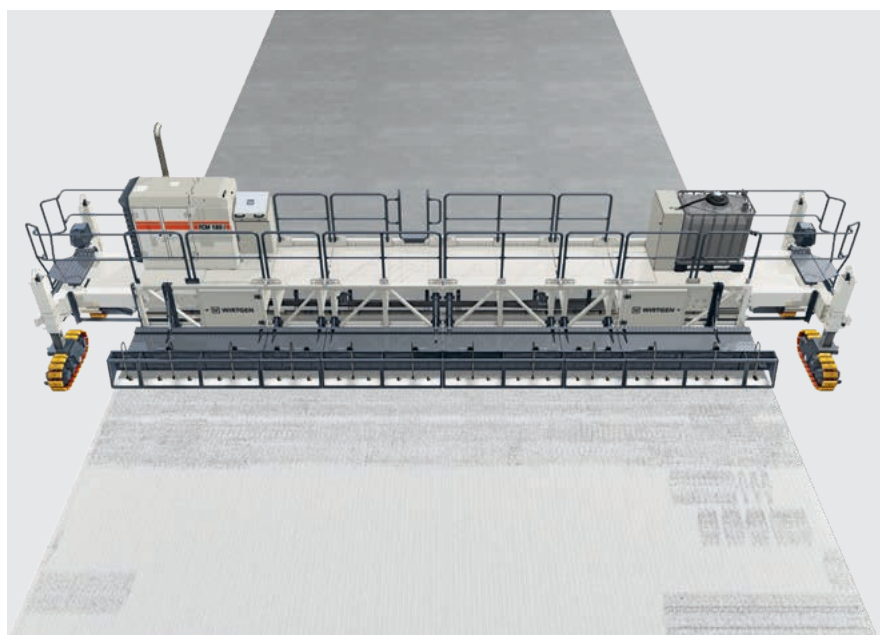
The texture curing machine is capable of applying a broom finish in longitudinal or transverse direction of the concrete slab in accordance with site requirements.

MINOR MODIFICATION REQUIREMENTS WHEN SWITCHING APPLICATIONS

SPRAY HEAD WITH THREE SPRAY NOZZLES

SELECTION FEATURE FOR LONGITUDINAL OR TRANSVERSE SPRAYING

SELECTION FEATURE FOR LONGITUDINAL OR TRANSVERSE BROOM FINISH



Applying a broom finish and spraying in longitudinal direction broadens the range of options to produce different surface textures.

Highlights in performance and productivity

EASE OF
TRANSPORT



ECO MODE AND
ENGINE COOLING

MINIMUM
MODIFICATION
REQUIREMENTS

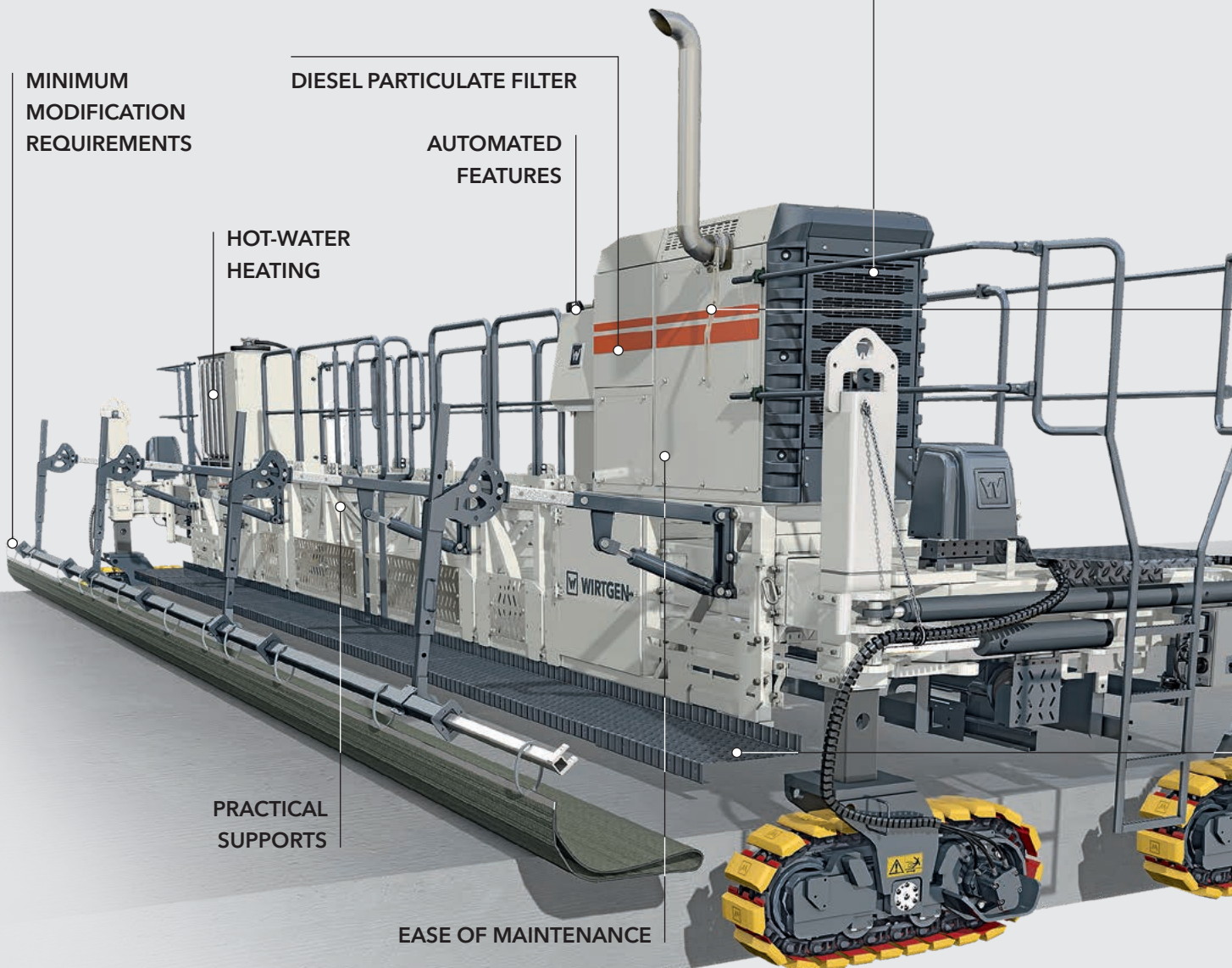
DIESEL PARTICULATE FILTER

AUTOMATED
FEATURES

HOT-WATER
HEATING

PRACTICAL
SUPPORTS

EASE OF MAINTENANCE





TWO ENGINE MODELS

ALUMINIUM WORKING PLATFORM

EASE OF TRANSPORT

All components required for operation can be adjusted so as to be within the maximum permissible transport dimensions.

MINIMUM MODIFICATION REQUIREMENTS

Modification is completed quickly and easily even if the texture curing machine is fitted with the full range of equipment. All components of the broom finish and spraying equipment for both longitudinal and transverse texturing applications need not be removed from the machine but are simply folded in as needed.

AUTOMATED FEATURES

The machine control system relieves the operator of a part of his workload by automatically controlling, for example, traction drive, steering and height adjustment, as well as the broom finish and spraying operation.

DIESEL PARTICULATE FILTER (TCM 95i/TCM 180i)

The optional diesel particulate filter ensures compliance with even stricter exhaust emission requirements.

HOT-WATER HEATING

The integrated heating system produces hot water which is stored in a 90-litre tank. The wax-based curing compound adhering to the pipelines can then be removed and the spray system cleaned economically with water heated to up to 60°C by simply pressing a button and turning two ball valves.

ECO MODE AND ENGINE COOLING (TCM 95i/TCM 180i)

The effective ECO mode engine control system teams up with the temperature-controlled fan speed to ensure quiet, fuel-efficient operation.

TWO ENGINE MODELS

The diesel engine installed in the TCM 95/TCM 180 complies with exhaust emission standards EU Stage 3a/US Tier 3; the diesel engine installed in the TCM 95i/TCM 180i complies with the strict requirements of the currently highest exhaust emission standards EU Stage 4/US Tier 4f.

EASE OF MAINTENANCE

Ready access to all maintenance and monitoring points minimizes maintenance requirements.

ALUMINIUM WORKING PLATFORM

The working platform of high-quality aluminium impresses with low weight and good slip resistance. The platform is available in wide or narrow design.

PRACTICAL SUPPORTS

Two separate supports facilitate modification of the machine on site.

Technical specification

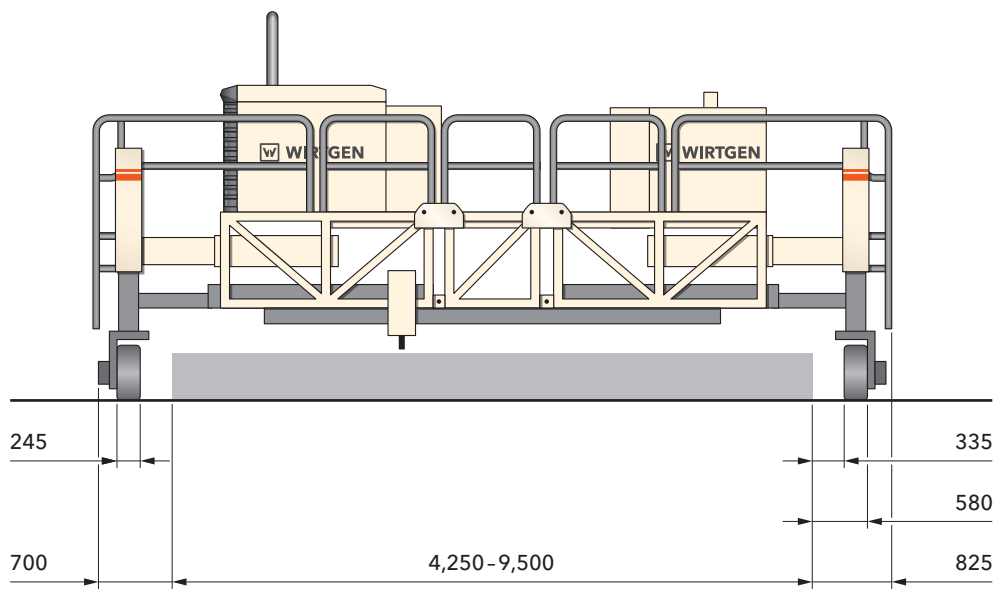
	TCM 95	TCM 180	TCM 95i	TCM 180i
Working width max.	9,500 mm	18,000 mm	9,500 mm	18,000 mm
Working height	0 to 500 mm			
Engine				
Engine manufacturer	Deutz		Deutz	
Type	D 2011 L04 i		TCD 2.9 L4	
Cooling	Air/oil		Water	
Number of cylinders	4		4	
Rated power at 2,300 rpm	41 kW/55 HP/56 PS		55.4 kW/74.3 HP/75.3 PS	
Displacement	3,620 cm ³		2,925 cm ³	
Fuel consumption, full load	12.5 l/h		15.7 l/h	
Fuel consumption, ² / ₃ load	8.3 l/h		10.5 l/h	
Exhaust emission standards	EU Stage 3a/US Tier 3		EU Stage 4/US Tier 4f	
Electrical system				
Voltage supply	24 V			
Filling capacities				
Fuel	130 l			
Hydraulic oil	120 l			
Curing compound	800 l			
Spraying system				
Spraying pump max.	23 l/min			
Filling pump max.	114 l/min			
Driving performance				
Travel gear	0 to 45 m/min	0 to 33 m/min	0 to 45 m/min	0 to 33 m/min

	TCM 95	TCM 180	TCM 95i	TCM 180i
Tyres				
Type of tyres	Solid rubber	-	Solid rubber	-
Tyre size	23/10.1 R 12	-	23/10.1 R 12	-
Number of wheels	4	-	4	-
Track units				
Dimensions (L x W x H)	-	1,340 x 268 x 560 mm	-	1,340 x 268 x 560 mm
Number of track units	-	4	-	4
Height adjustment				
Height adjustment (hydraulic)	620 mm			
Transport dimensions				
Min. machine dimensions (L x W x H)	6,150 x 2,500 x 2,700 mm	6,650 x 2,500 x 2,700 mm	6,150 x 2,500 x 2,700 mm	6,650 x 2,500 x 2,700 mm
Max. machine dimensions (L x W x H)	10,150 x 2,500 x 2,950 mm	18,650 x 2,500 x 2,950 mm	10,150 x 2,500 x 2,950 mm	18,650 x 2,500 x 2,950 mm
Machine weights				
Operating weight, CE*	7,800 kg to 11,600 kg	9,100 kg to 18,400 kg	7,800 kg to 11,600 kg	9,100 kg to 18,400 kg

* = Weight of machine, half weight of all operating materials, on-board tools, machine operator (75 kg), no optional equipment features

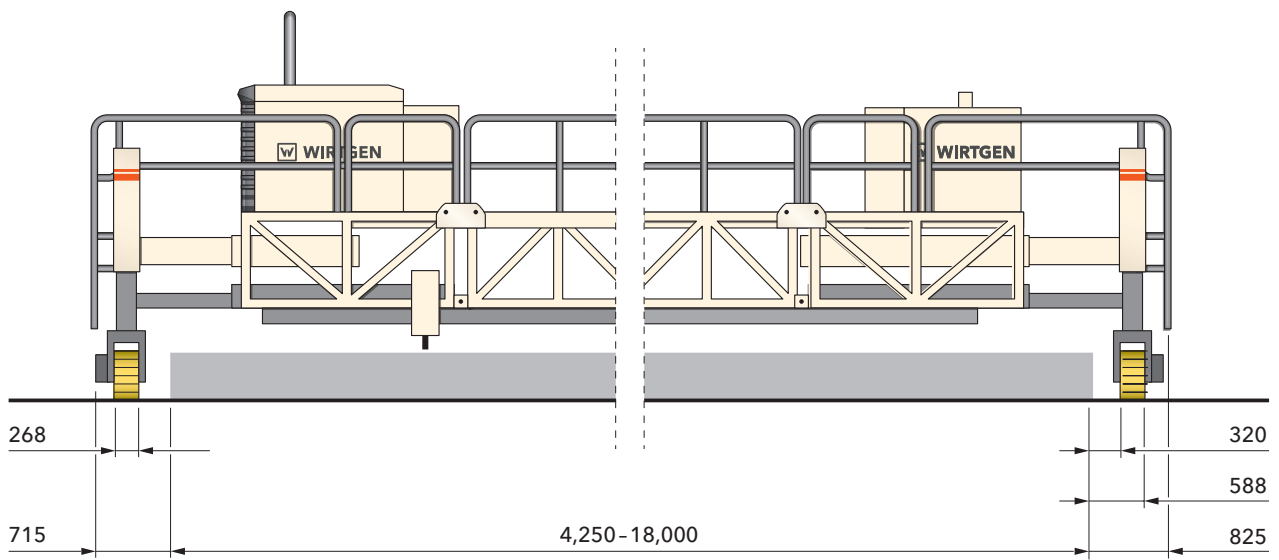
Dimensions

TCM 95/TCM 95i



Dimensions in mm

TCM 180/TCM 180i

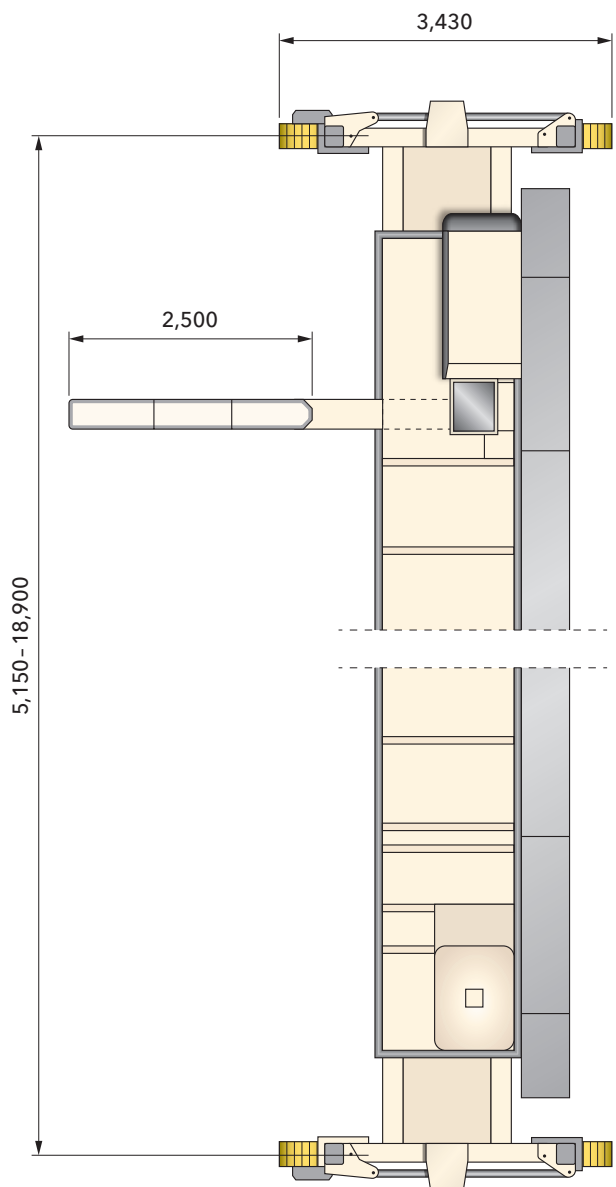
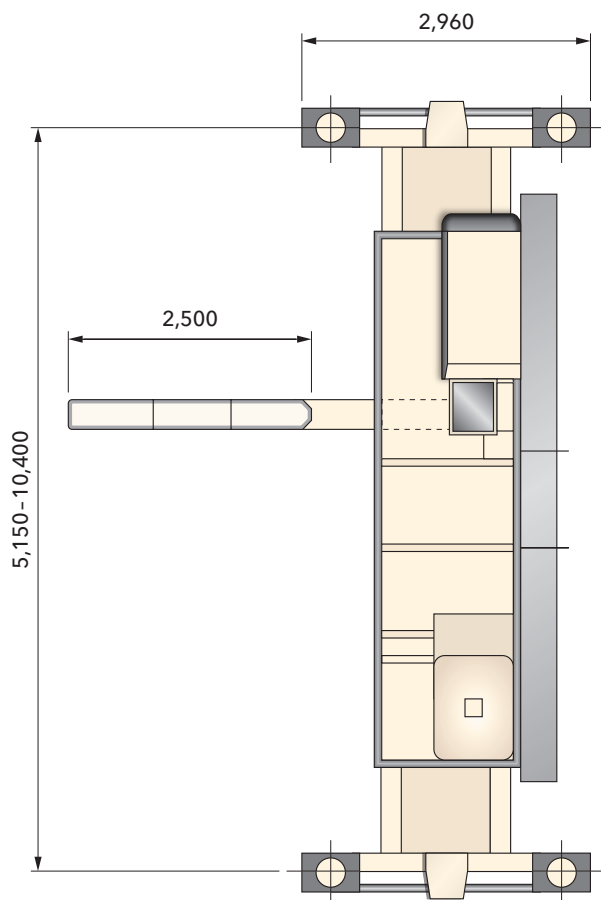


Dimensions in mm

Dimensions

TCM 95/TCM 95i

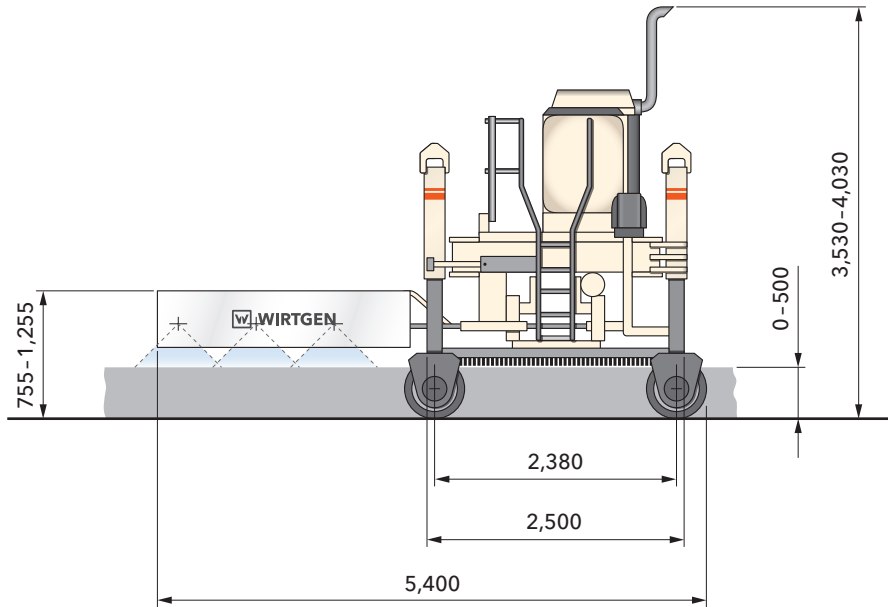
TCM 180/TCM 180i



Direction of operation



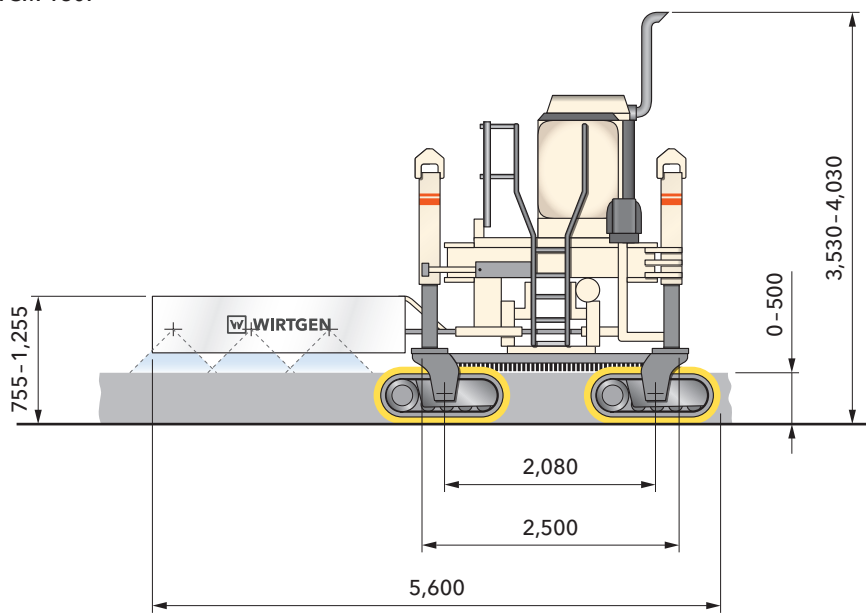
TCM 95/TCM 95i



Direction of operation



TCM 180/TCM 180i



Standard equipment features

	TCM 95	TCM 180	TCM 95i	TCM 180i
Basic machine				
Engine station complying with emission standards EU Stage 3a/US Tier 3	■	■	–	–
Engine station complying with emission standards EU Stage 4/US Tier 4f including exhaust after-treatment by means of diesel oxidation catalyst (DOC)	–	–	□	□
Fuel tank, 130 l	■	■	■	■
Hydraulic oil tank, 120 l	■	■	■	■
Electrical system (24 V)	■	■	■	■
Separate hydraulic oil cooler	■	■	■	■
Pressure-and-flow-controlled hydraulic pump in the open circuit for traction drive, agitator drive and spraying and broom unit drives	■	■	■	■
Pressure-controlled pump, open circuit, for all cylinder functions	■	■	■	■
Main frame and height adjustment				
Heavy-duty framework design for working widths from 4.00 m to 6.00 m by telescoping the frame by 1.00 m each, left and right	■	■	■	■
Working widths of up to 9.50 m are possible using extension elements	■	–	■	–
Working widths of up to 18.00 m are possible using extension elements	–	■	–	■
Chassis and chassis linkage				
Side parts left and right for connecting 4 wheels, including transport steering feature (longitudinal or transverse transport possible)	■	–	■	–
Side parts left and right for connecting 4 track units, including transport steering feature (longitudinal or transverse transport possible)	–	■	–	■
Four hydraulically driven wheels, diameter 0.58 m, width 0.23 m, gear ratio 1:40	■	–	■	–
Four track units fitted with triple-grouser steel track pads	–	□	–	□
Working speed: 0 to 22 m/min; Transport speed: 0 to 45 m/min	■	–	■	–
Working speed: 0 to 15 m/min; Transport speed: 0 to 33 m/min	–	■	–	■

- = Standard equipment
- = Standard equipment, replaceable with optional equipment
- = Optional equipment

	TCM 95	TCM 180	TCM 95i	TCM 180i
Machine control, levelling and steering				
Machine control via central control panel with manual or automatic mode	■	■	■	■
Four hydraulic levelling cylinders with a stroke of 0.62 m	■	■	■	■
Equipment for transverse/longitudinal texturing				
Transverse drive and carriage for broom and spraying unit	□	□	□	□
Transverse broom, plastic, 2.50 m long	□	□	□	□
Transverse spraying unit, 2.50 m long, with tank and pump	□	□	□	□
Miscellaneous				
Pre-fitting for installing the WITOS FleetView control unit	■	■	■	■
WITOS FleetView - professional telematics solution to optimize machine use and servicing	□	□	□	□
Standard painting in RAL 9001 (cream)	□	□	□	□
Lighting system including 4 halogen working lights, 24 V	□	□	□	□

- = Standard equipment
- (grey) = Standard equipment, replaceable with optional equipment
- (white) = Optional equipment

Optional equipment features

	TCM 95	TCM 180	TCM 95i	TCM 180i
Basic machine				
Engine station complying with emission standards EU Stage 4/US Tier 4f including exhaust after-treatment by means of diesel oxidation catalyst (DOC) and diesel particulate filter (DPF)	–	–	<input type="checkbox"/>	<input type="checkbox"/>
Main frame and height adjustment				
Frame extension element, 2.00 m	<input type="checkbox"/>	<input type="checkbox"/>	<input type="checkbox"/>	<input type="checkbox"/>
Frame extension element, 1.00 m	<input type="checkbox"/>	<input type="checkbox"/>	<input type="checkbox"/>	<input type="checkbox"/>
Two hydraulic cylinders for crown profile adjustment of the main frame	<input type="checkbox"/>	<input type="checkbox"/>	<input type="checkbox"/>	<input type="checkbox"/>
Automatic crown profile adjustment	<input type="checkbox"/>	<input type="checkbox"/>	<input type="checkbox"/>	<input type="checkbox"/>
Handrail - extension element for front and rear, 2.00 m	<input type="checkbox"/>	<input type="checkbox"/>	<input type="checkbox"/>	<input type="checkbox"/>
Handrail and ladder - extension element, 2.00 m	<input type="checkbox"/>	<input type="checkbox"/>	<input type="checkbox"/>	<input type="checkbox"/>
Handrail - extension element for front and rear, 1.00 m	<input type="checkbox"/>	<input type="checkbox"/>	<input type="checkbox"/>	<input type="checkbox"/>
Handrail and ladder - extension element, 1.00 m	<input type="checkbox"/>	<input type="checkbox"/>	<input type="checkbox"/>	<input type="checkbox"/>
Two supports for machine modification on site	<input type="checkbox"/>	<input type="checkbox"/>	<input type="checkbox"/>	<input type="checkbox"/>
Dual hydraulic telescoping device for the main frame, left and right	<input type="checkbox"/>	<input type="checkbox"/>	<input type="checkbox"/>	<input type="checkbox"/>
Chassis and chassis linkage				
Four track units with polyurethane track pads	–	<input type="checkbox"/>	–	<input type="checkbox"/>
Machine control, levelling and steering				
Levelling unit for automatic operation of the machine	<input type="checkbox"/>	<input type="checkbox"/>	<input type="checkbox"/>	<input type="checkbox"/>
Two slab tracers	<input type="checkbox"/>	<input type="checkbox"/>	<input type="checkbox"/>	<input type="checkbox"/>
Four slab tracers	<input type="checkbox"/>	<input type="checkbox"/>	<input type="checkbox"/>	<input type="checkbox"/>
Two ultrasonic sensors including mounting brackets	<input type="checkbox"/>	<input type="checkbox"/>	<input type="checkbox"/>	<input type="checkbox"/>
Four ultrasonic sensors including mounting brackets	<input type="checkbox"/>	<input type="checkbox"/>	<input type="checkbox"/>	<input type="checkbox"/>
Six ultrasonic sensors including mounting brackets	<input type="checkbox"/>	<input type="checkbox"/>	<input type="checkbox"/>	<input type="checkbox"/>
Equipment for transverse/longitudinal texturing				
Transverse broom, flat wire, 3.00 m long	<input type="checkbox"/>	<input type="checkbox"/>	–	–
Transverse spraying unit, 3.00 m, with tank and pump	<input type="checkbox"/>	<input type="checkbox"/>	–	–
Pre-fitting for longitudinal spraying with tank and pump	<input type="checkbox"/>	<input type="checkbox"/>	<input type="checkbox"/>	<input type="checkbox"/>
Control panel for longitudinal texturing, longitudinal spraying and film unwinder	<input type="checkbox"/>	<input type="checkbox"/>	<input type="checkbox"/>	<input type="checkbox"/>
Pre-fitting for attaching artificial turf/burlap for working width 4.00 m to 6.00 m	<input type="checkbox"/>	<input type="checkbox"/>	<input type="checkbox"/>	<input type="checkbox"/>
Extension element for artificial turf/burlap mounting rail, 2.00 m	<input type="checkbox"/>	<input type="checkbox"/>	<input type="checkbox"/>	<input type="checkbox"/>
Extension element for artificial turf/burlap mounting rail, 1.00 m	<input type="checkbox"/>	<input type="checkbox"/>	<input type="checkbox"/>	<input type="checkbox"/>
Device for winding or unwinding a protective film on the front of the machine	<input type="checkbox"/>	<input type="checkbox"/>	<input type="checkbox"/>	<input type="checkbox"/>
Pre-fitting for mounting a longitudinal broom	<input type="checkbox"/>	<input type="checkbox"/>	<input type="checkbox"/>	<input type="checkbox"/>
Extension element for longitudinal broom mount, 2.00 m	<input type="checkbox"/>	<input type="checkbox"/>	<input type="checkbox"/>	<input type="checkbox"/>

- = Standard equipment
- = Standard equipment, replaceable with optional equipment
- = Optional equipment

	TCM 95	TCM 180	TCM 95i	TCM 180i
Equipment for transverse /longitudinal texturing				
Extension element for longitudinal broom mount, 1.00 m	<input type="checkbox"/>	<input type="checkbox"/>	<input type="checkbox"/>	<input type="checkbox"/>
Longitudinal spraying unit for working width 4.00 to 6.00 m behind the machine	<input type="checkbox"/>	<input type="checkbox"/>	<input type="checkbox"/>	<input type="checkbox"/>
Extension for longitudinal spraying unit, 2.00 m	<input type="checkbox"/>	<input type="checkbox"/>	<input type="checkbox"/>	<input type="checkbox"/>
Extension for longitudinal spraying unit, 1.00 m	<input type="checkbox"/>	<input type="checkbox"/>	<input type="checkbox"/>	<input type="checkbox"/>
Extended machine functionality for automatic diagonal broom finish and diagonal spraying	<input type="checkbox"/>	<input type="checkbox"/>	<input type="checkbox"/>	<input type="checkbox"/>
Extended machine functionality for automatic meander spraying	<input type="checkbox"/>	<input type="checkbox"/>	<input type="checkbox"/>	<input type="checkbox"/>
Additional options for broom finish and spraying features				
Agitator in the curing compound tank	<input type="checkbox"/>	<input type="checkbox"/>	<input type="checkbox"/>	<input type="checkbox"/>
Hydraulically driven filling pump for curing compound tank	<input type="checkbox"/>	<input type="checkbox"/>	<input type="checkbox"/>	<input type="checkbox"/>
Water heating system for cleaning the spraying system	<input type="checkbox"/>	<input type="checkbox"/>	<input type="checkbox"/>	<input type="checkbox"/>
Broom scraper and inclination unit for the transverse broom	<input type="checkbox"/>	<input type="checkbox"/>	<input type="checkbox"/>	<input type="checkbox"/>
Mounting bracket for holding up to two additional curing compound tanks (800 l or 1,000 l)	<input type="checkbox"/>	<input type="checkbox"/>	<input type="checkbox"/>	<input type="checkbox"/>
Mounting bracket for holding one additional curing compound tank, 800 l	<input type="checkbox"/>	<input type="checkbox"/>	<input type="checkbox"/>	<input type="checkbox"/>
Operator's platform				
Weather umbrella for operator's platform	<input type="checkbox"/>	<input type="checkbox"/>	<input type="checkbox"/>	<input type="checkbox"/>
Weather canopy for operator's platform	<input type="checkbox"/>	<input type="checkbox"/>	<input type="checkbox"/>	<input type="checkbox"/>
Operator's platform including stand-up seat	<input type="checkbox"/>	<input type="checkbox"/>	<input type="checkbox"/>	<input type="checkbox"/>
Rigid working platform, walkway width 0.50 m, basic width 4.00 m to 6.00 m	<input type="checkbox"/>	<input type="checkbox"/>	<input type="checkbox"/>	<input type="checkbox"/>
Working platform extension element, 2.00 m, matching walkway width 0.50 m	<input type="checkbox"/>	<input type="checkbox"/>	<input type="checkbox"/>	<input type="checkbox"/>
Working platform extension element, 1.00 m, matching walkway width 0.50 m	<input type="checkbox"/>	<input type="checkbox"/>	<input type="checkbox"/>	<input type="checkbox"/>
Hydraulically folding working platform, walkway width 1.20 m, basic width 4.00 m to 6.00 m	<input type="checkbox"/>	<input type="checkbox"/>	<input type="checkbox"/>	<input type="checkbox"/>
Working platform extension element, 2.00 m, matching walkway width 1.20 m	<input type="checkbox"/>	<input type="checkbox"/>	<input type="checkbox"/>	<input type="checkbox"/>
Working platform extension element, 1.00 m, matching walkway width 1.20 m	<input type="checkbox"/>	<input type="checkbox"/>	<input type="checkbox"/>	<input type="checkbox"/>
Miscellaneous				
Painting in one special colour (RAL)	<input type="checkbox"/>	<input type="checkbox"/>	<input type="checkbox"/>	<input type="checkbox"/>
Painting in two special colours (RAL)	<input type="checkbox"/>	<input type="checkbox"/>	<input type="checkbox"/>	<input type="checkbox"/>
Painting in maximum two special colours with the lower part of the machine painted in special colour (RAL)	<input type="checkbox"/>	<input type="checkbox"/>	<input type="checkbox"/>	<input type="checkbox"/>
High-performance lighting system including 4 LED working lights, 24 V	<input type="checkbox"/>	<input type="checkbox"/>	<input type="checkbox"/>	<input type="checkbox"/>
Separate generator 22 kVA/400 V/230 V	<input type="checkbox"/>	<input type="checkbox"/>	<input type="checkbox"/>	<input type="checkbox"/>
Hydraulically driven crane system	<input type="checkbox"/>	<input type="checkbox"/>	<input type="checkbox"/>	<input type="checkbox"/>
Machine commissioning (day rate)	<input type="checkbox"/>	<input type="checkbox"/>	<input type="checkbox"/>	<input type="checkbox"/>
Export packing	<input type="checkbox"/>	<input type="checkbox"/>	<input type="checkbox"/>	<input type="checkbox"/>

- = Standard equipment
- = Standard equipment, replaceable with optional equipment
- = Optional equipment



WIRTGEN GmbH

Reinhard-Wirtgen-Str. 2 · 53578 Windhagen · Germany
Phone: +49 (0)26 45/131-0 · Fax: +49 (0)26 45/131-392
Internet: www.wirtgen.com · E-Mail: info@wirtgen.com

